

Description

The BCP type is a series of dedicated pressure switches for safety and pressure monitoring of steam and hot water boilers. The BCP incorporates a single-pole changeover microswitch where the contact position depends on the pressure in the connection port and the range set value. For installations, in which operation is particularly critical for safety reason, the use of fail-safe control is recommended.

Features & benefits

- Available as high and low pressure limiters as well as pressure controllers
- Wide pressure range: from low pressure BCP1 with narrow differential to high pressure BCP7
- The fail-safe dual bellows enable premature cut-out when fault occurs
- DIN plug mounted on the top of control for easy electrical wiring
- Single-pole changeover switch (SPDT), switch + alarm
- Direct mounting on pressure connection or wall mounting by means of a bracket
- Versions with automatic and manual resets available
- Screw adjustments made on top of housing
- Manual reset for pressure limiters possible only by means of tools
- Safety Integrity Level: SIL 2 according to IEC 61508:2010

Ordering

Product code numbers

| Type | Regulation range [bar] Pe [min] | Regulation range [bar] Pe [max] | Differential [bar] | Reset function | Max. Working Pressure [bar] | Max. test pressure [bar] Pe | Pressure connection type | Pressure connection size | Code number |
|-------|---------------------------------|---------------------------------|--------------------|----------------|-----------------------------|-----------------------------|--------------------------|--------------------------|-------------|
| BCP1 | 0.10 | 1.10 | | Auto | 6.0 | 6.6 | G | 1/2 | 017B0002 |
| BCP2 | 0.00 | 2.50 | | Auto | 10.0 | 11.0 | G | 1/2 | 017B0006 |
| BCP3 | 0.00 | 6.00 | | Auto | 16.0 | 17.6 | G | 1/2 | 017B0010 |
| BCP4 | 1.00 | 10.00 | | Auto | 25.0 | 27.5 | G | 1/2 | 017B0014 |
| BCP5 | 2.00 | 16.00 | | Auto | 32.0 | 35.2 | G | 1/2 | 017B0018 |
| BCP5 | 2.00 | 16.00 | 1.20 | Auto | 32.0 | 35.2 | G | 1/2 | 017B0020 |
| BCP6 | 5.00 | 25.00 | | Auto | 40.0 | 44.0 | G | 1/2 | 017B0022 |
| BCP7 | 10.00 | 40.00 | | Auto | 63.0 | 69.3 | G | 1/2 | 017B0026 |
| BCP1H | 0.10 | 1.10 | 0.10 | Manual Max | 6.0 | 6.6 | G | 1/2 | 017B0030 |
| BCP2H | 0.00 | 2.50 | 0.20 | Manual Max | 10.0 | 11.0 | G | 1/2 | 017B0034 |
| BCP3H | 0.00 | 6.00 | 0.40 | Manual Max | 16.0 | 17.6 | G | 1/2 | 017B0038 |
| BCP4H | 1.00 | 10.00 | 0.45 | Manual Max | 25.0 | 27.5 | G | 1/2 | 017B0042 |
| BCP5H | 2.00 | 16.00 | 1.20 | Manual Max | 32.0 | 35.2 | G | 1/2 | 017B0046 |
| BCP6H | 5.00 | 25.00 | 1.50 | Manual Max | 40.0 | 44.0 | G | 1/2 | 017B0050 |
| BCP7H | 10.00 | 40.00 | 2.30 | Manual Max | 63.0 | 69.3 | G | 1/2 | 017B0054 |
| BCP2L | 0.00 | 2.50 | 0.20 | Manual Min | 10.0 | 11.0 | G | 1/2 | 017B0058 |
| BCP3L | 0.00 | 6.00 | 0.40 | Manual Min | 16.0 | 17.6 | G | 1/2 | 017B0062 |
| BCP4L | 1.00 | 10.00 | 0.45 | Manual Min | 25.0 | 27.5 | G | 1/2 | 017B0066 |
| BCP5L | 2.00 | 16.00 | 1.20 | Manual Min | 32.0 | 35.2 | G | 1/2 | 017B0070 |
| BCP6L | 5.00 | 25.00 | 1.20 | Manual Min | 40.0 | 44.0 | G | 1/2 | 017B0074 |
| BCP3 | 0.00 | 6.00 | | Auto | 16.0 | 17.6 | G | 1/2 | 017B0110 |
| BCP4 | 1.00 | 10.00 | | Auto | 25.0 | 27.5 | G | 1/2 | 017B0114 |
| BCP3H | 0.00 | 6.00 | 0.40 | Manual Max | 16.0 | 17.6 | G | 1/2 | 017B0138 |

Table: High pressure limiters

| Type | Range | Fixed Differential average | Reset | Max. operating pressure | Max. test pressure | Pressure connection | Code number |
|-------|-------------|----------------------------|-------|-------------------------|--------------------|---------------------|-------------------------|
| | [bar] | [bar] | | [bar] | [bar] | | |
| BCP1H | 0.1 – 1.1 | 0.10 | Man. | 6 | 7 | G½ A | 017B0030 |
| BCP2H | 0.0 – 2.5 | 0.20 | Man. | 10 | 11 | G½ A | 017B0034 |
| BCP3H | 0.0 – 6.0 | 0.40 | Man. | 16 | 18 | G½ A | 017B0038 |
| BCP3H | 0.0 – 6.0 | 0.40 | Man. | 16 | 18 | G½ A | 017B0138 ⁽¹⁾ |
| BCP4H | 1.0 – 10.0 | 0.45 | Man. | 25 | 28 | G½ A | 017B0042 |
| BCP5H | 2.0 – 16.0 | 1.20 | Man. | 32 | 35 | G½ A | 017B0046 |
| BCP6H | 5.0 – 25.0 | 1.50 | Man. | 40 | 45 | G½ A | 017B0050 |
| BCP7H | 10.0 – 40.0 | 2.30 | Man. | 63 | 70 | G½ A | 017B0054 |

¹⁾ Stainless steel pressure connector**Table: Low pressure limiters**


| Type | Range | Fixed Differential average | Reset | Max. operating pressure | Max. test pressure | Pressure connection | Code number |
|-------|------------|----------------------------|-------|-------------------------|--------------------|---------------------|-------------|
| | [bar] | [bar] | | [bar] | [bar] | | |
| BCP2L | 0.0 – 2.5 | 0.20 | Man. | 10 | 11 | G½ A | 017B0058 |
| BCP3L | 0.0 – 6.0 | 0.40 | Man. | 16 | 18 | G½ A | 017B0062 |
| BCP4L | 1.0 – 10.0 | 0.45 | Man. | 25 | 28 | G½ A | 017B0066 |
| BCP5L | 2.0 – 16.0 | 1.20 | Man. | 32 | 35 | G½ A | 017B0070 |
| BCP6L | 5.0 – 25.0 | 1.20 | Man. | 40 | 45 | G½ A | 017B0074 |

Table: Pressure controllers

| Type | Range | Differential average | Reset | Max. operating pressure | Max. test pressure | Pressure connection | Code number |
|------|-------------|----------------------|-------|-------------------------|--------------------|---------------------|-------------------------|
| | [bar] | [bar] | | [bar] | [bar] | | |
| BCP1 | 0.1 – 1.1 | 0.15 – 0.6 | Auto | 6 | 7 | G½ A | 017B0002 |
| BCP2 | 0.0 – 2.5 | 0.4 – 1.0 | Auto | 10 | 11 | G½ A | 017B0006 |
| BCP3 | 0.0 – 6.0 | 0.7 – 1.4 | Auto | 16 | 18 | G½ A | 017B0010 |
| BCP3 | 0.0 – 6.0 | 0.7 – 1.4 | Auto | 16 | 18 | G½ A | 017B0110 ⁽¹⁾ |
| BCP4 | 1.0 – 10.0 | 1.0 – 2.5 | Auto | 25 | 28 | G½ A | 017B0014 |
| BCP5 | 2.0 – 16.0 | 2.0 – 3.2 | Auto | 32 | 35 | G½ A | 017B0018 |
| BCP6 | 5.0 – 25.0 | 2.5 – 4.0 | Auto | 40 | 45 | G½ A | 017B0022 |
| BCP7 | 10.0 – 40.0 | 3.0 – 6.0 | Auto | 63 | 70 | G½ A | 017B0026 |

¹⁾ Stainless steel pressure connector

Accessories code numbers




017B1018

Switches accessories, Mounting bracket

Type: Accessory, Used for product: BCP, Mounting bracket, Packing format: Multi pack, Quantity per packing format: 9

Related products

017B0073 017B0074 017B0274



017B1019

Switches accessories, Mounting bracket

Type: Accessory, Used for product: BCP, Mounting bracket, Packing format: Multi pack, Quantity per packing format: 9

Related products

017B0073 017B0074 017B0274

Accessories for BCP pressure switches

Figure: Mounting bracket, code number 017B1018, for direct mounting on the wall

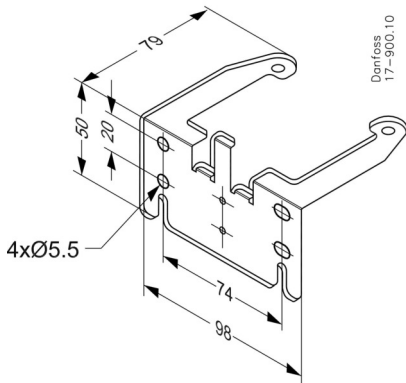


Figure: Mounting bracket for T 35 mm rail, code number 017B1019

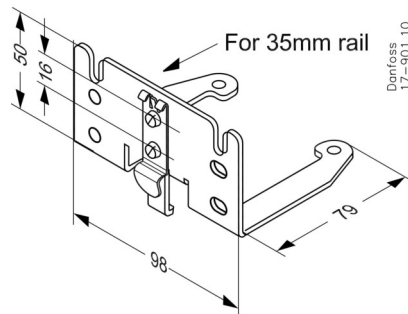
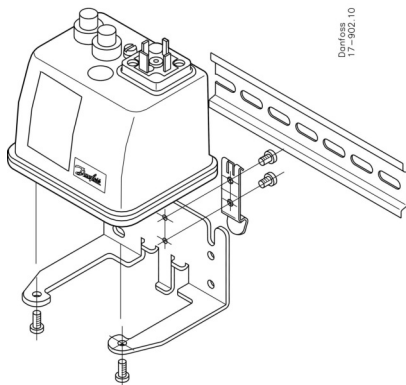


Figure: Mounting of BCP on the 35 mm rail



Functions

Settings

Note: Cut-in and cut-out pressures of the system should always be checked with accurate pressure gauges.

Pressure settings for switches (with automatic reset)

Set the cut-out pressure on RANGE scale and differential on DIFF. scale. Restart pressure is equal to cut-out pressure minus pre-set differential value.

Pressure switches with manual reset

High pressure limiters: Set cut-out pressure on the RANGE scale. Pressure limiter can only be manually reset by pressing reset button by means of tools when the pressure is equal to or below the cut-out pressure minus value of the differential.

Low pressure limiters: Set cut-out pressure on RANGE scale. Limiter can only be reset manually by pressing (with tool) the reset button when pressure rises to cut-out pressure plus differential or above it.

Note: Pressure limiters have no differential scale. Fixed differential value is printed on the scale plate.

Product details

General data

Table: Technical data

| | | |
|-------------------------------------|-----------------------------|--|
| Media | | Steam, water, air |
| Ambient temperature | | -20 – 70 °C |
| Media temperature | | Up to 120 °C (Above 120 °C a water-filled loop must be installed). |
| Enclosure | | IP65 |
| Action type acc. to EN 60730 | | Type BCP - 2B Types BCPL / BCPH - 2BDF |
| Electrical connection Plug | | DIN 43650, Pg 11 |
| Switch type | | SPDT, snap action microswitch |
| Contact material | | Silver / gold (gold plated silver) |
| Contact load | Minimum | 1mA, 5V |
| | Maximum¹⁾ | ²⁾ AC-1: 6A, 250 V |
| | | ³⁾ AC-15: 1A, 250 V |
| | | ⁴⁾ DC 13 10W, 250 V |
| Expected electrical lifetime | | Min. 250 000 cycles under full contact load. |

¹⁾ If used with current higher than 100mA and voltage higher than 30V the gold layer will be burnt away and the unit can't be used at a lower current again.

²⁾ AC-1 Ohmic load, $\cos\phi$ 1.

³⁾ AC-15 inductive load like coil and contactors with, $\cos\phi$ 0.3.

⁴⁾ DC-13 Direct current load

Terminology

Pressure limiters

Limiters are devices that, on reaching a fixed value interrupt and lock out the energy supply. Manual unlocking is required before restart. A limiter shall be such that a single fault in any related part shall not lead to a loss of the safety function.

Note:

If a BCP pressure controller with automatic reset is used as limiter, lockout must be realized externally as a part of safety logic, e.g.: by external contactors and/or relays according to requirements of standard prEN501156-1 for safety relevant hardware. External closure must be interlocked, while loss of auxiliary energy must lead to closure. Resetting must not be automated; it has to be performed manually. Resetting on fault must lead to a repeated closure. When BCP limits, is for rising or falling applications, the external safety logic must change to fail-safe position.

Fail-safe control

A control is fail-safe if it has the capability to remain in a safe condition or transition to a safe condition when a fault occurs.

Note: If the system pressure exceeds PS/MWP then accuracy of the control settings can be lost.

Maximum test pressure

The maximum pressure applied in strength or leakage tests on heating systems or components thereof.

Maximum working pressure

The maximum permissible pressure for safe functioning of the system or any of its components.

Snap function

A specific contact force is maintained in micro-switch until snap is initiated, therefore, contact bounce cannot occur as a result, for example, of slight vibrations before cut-out.

These design features ensure that the cut-out point of the BCP control remains very accurate and completely independent of the magnitude of the current load.

Set point

A predetermined value to which a control is adjusted and at which it performs its intended function.

Differential

The difference between pressure cut-out and pressure cut-in.

Reset

1. Manual reset

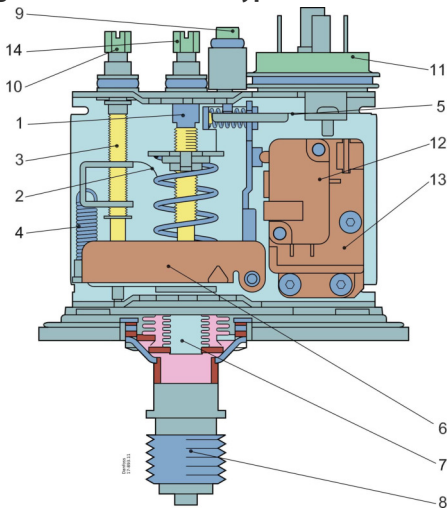
A unit with manual reset can only be restored to operational mode by activation of the external reset button.

2. Automatic reset

A unit with automatic reset is restored to operational mode automatically

Design

Figure: Pressure switch, type BCP



| | |
|----|----------------------|
| 1 | Main spindle |
| 2 | Main spring |
| 3 | Differential spindle |
| 4 | Differential spring |
| 5 | Reset spring |
| 6 | Activating arm |
| 7 | Bellows |
| 8 | Pressure connection |
| 9 | Reset push button |
| 10 | Differential knob |
| 11 | DIN plug |
| 12 | Microswitch |
| 13 | Microswitch bracket |
| 14 | Range knob |

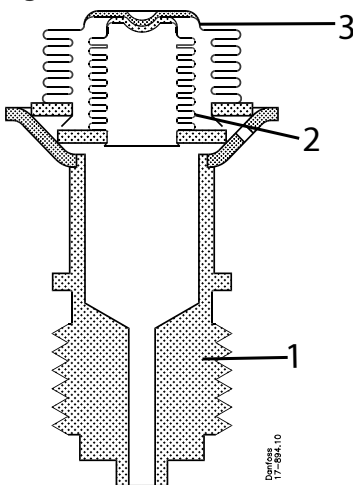
Reset

Version with automatic reset cut-in again automatically when the pressure falls to the set point minus differential. Version with manual reset has to be cut in manually by means of tool.

Fail-safe bellows concept

BCP 6, BCP 6H, BCP 7, and BCP 7H have a double bellows: an operating bellows (inner) and safety bellows (outer).

Figure: Microswitch



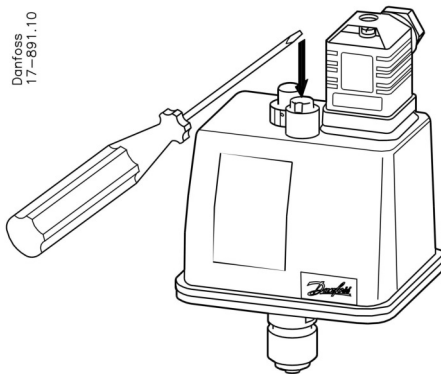
| | |
|---|---------------------|
| 1 | Pressure connection |
| 2 | Regulating bellows |
| 3 | Safety bellows |

Microswitch

BCP is a microswitch based control with DIN plug. Such design enables easy electrical connection and makes control suitable for operation with modern electronic systems, as PLC.

Silver/gold plated contacts

Silver/gold plated contacts are used for low currents and middle range of current, especially in applications with PLC or other corresponding electronic devices. Such contacts have also significantly lower emission of electromagnetic noises produced on contact break. EMC (Electro Magnetic Compatibility) is an important parameter where electronic equipment is used. A gold-plated contact has a silver layer under the gold and can therefore also be used in the middle range of load. The gold will disappear at loads above 0,1 A.

Figure: BCP pressure switches**Note:****Ambient temperature influence**

All BCP pressure switches operate independently of changes in ambient temperature around the switch.

Therefore, the settings for cut-out pressure and differential stay constant unless the permissible ambient temperature is exceeded.

When system pressure exceeds the set value, the BCP will automatically stop the plant.

A rupture in the inner bellows causes the control cut-out pressure to fall about 3 times less than the preset value, thus the system stops prematurely.

A rupture in the outer bellows causes the control cut-out pressure to fall about 3 bar under the preset value, thus providing a fail-safe function.

In other BCP types with single bellows assembly, fail-safe function is satisfied by a proved 2 million cycles mechanical lifetime test.

Materials**Materials in contact with media**

Bellows: stainless steel X2CrNi19-11, 1.4306 acc. to EN 10088-2

Pressure connection: nickel plated free cutting steel or stainless steel X5CrNi18-10, 1.4301 acc. to EN 10088-2

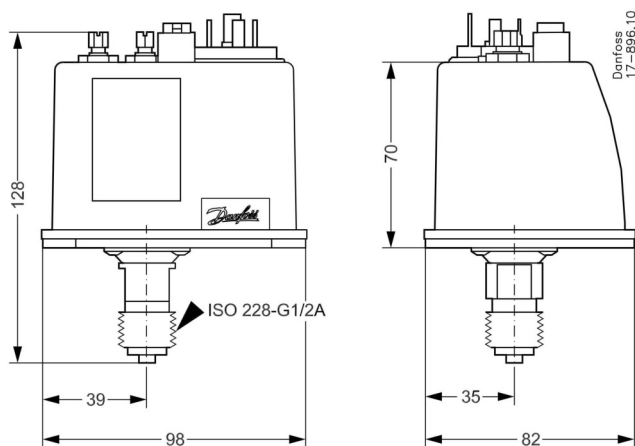
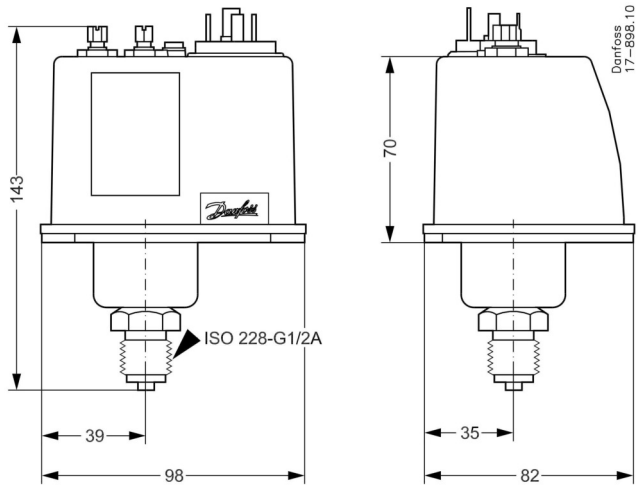
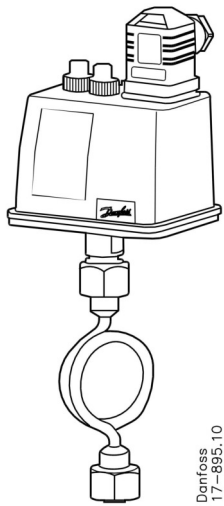
Dimensions**Figure: BCP types except for BCP 1 and BCP 1H**

Figure: Types BCP 1 and BCP1H



Installation

Figure: Installation in steam systems



To protect the pressure element against excessive temperature of the media, above allowable 120 °C the insertion of water- filled loop is recommended.

Certificates, declarations and approvals

The list contains all certificates, declarations, and approvals for this product type. Individual code number may have some or all of these approvals, and certain local approvals may not appear on the list.

When you click on the link you will be directed to the latest version of the 'Declaration of Conformity'. Products developed and sold before this date of issue conform to the directives/standards in force at the time of their sale.

| Approval type | Title | Certification body | Approval topic |
|-------------------------------|--|--|----------------------------------|
| Pressure Safety Certificate | TÜV 01 202 973-B-16-0027 | TÜV Rheinland - Technischer ÜberwachungsVerein | PED, Pressure |
| Pressure Safety Certificate | TÜV 0879-PESR-B(P)-21484-9-DE | TÜV NORD - Technischer ÜberwachungsVerein | PED, Pressure |
| Quality Assurance Certificate | TÜV 0045 202 9120 Z 00544 25 D 000 00 | TÜV NORD - Technischer ÜberwachungsVerein | PED, Pressure |
| Export Control Declaration | Pressure switches & Thermostats | Danfoss | |
| EU Declaration | Danfoss EU 060-9652.AJ | Danfoss | EMC, PED, LVD, Pressure, EU RoHS |
| UA Declaration | Danfoss UA 2024-07-25 cooling sensors | Danfoss | EMC, LVD |
| UA Declaration | Danfoss UA 2023-01-10 Regulators PL01 PL04 | Danfoss | PED, Pressure |
| Pressure Safety Certificate | LLC CDC EURO-TYSK UA.TR.089.1015.05-22 | LLC CDC EURO TYSK - Ukraine | Pressure |

Contact details

Online support

Danfoss offers a wide range of support along with our products, including digital information, software, mobile apps and expert guidance. See the possibilities below.



The Danfoss Design center

Discover the Design Center, our advanced digital platform that streamlines product selection. With integrated tools and enhanced type pages, it's simpler than ever to access product information and documentation, and to select the right products. Check the availability of Danfoss products at partner locations and enjoy seamless transitions from selection to purchase with our basket-to-basket functionality. Whether you're buying from our distributors or directly from the Product Store, the Design Center simplifies your experience. Learn more at: designcenter.danfoss.com.



The Danfoss product store

The Danfoss Product Store is a one-stop shop available 24/7 for our customers, no matter where you are in the world or what area of industry you work in. Browse our catalog, check product details and documentation, view your prices and product availability, and quickly finalize your purchase. Start browsing at: store.danfoss.com.



Danfoss Partner Portal/Product Data tool

Designed to support you with easy access to product data extracts, essential resources, tools, and information. The Partner Portal provides a centralized hub for product documentation, training materials, marketing assets, and technical support, ensuring you have everything you need to succeed and grow your business with Danfoss. The Partner Portal is available 24/7 at: partner.danfoss.com and is ready to support your business.



Find technical documentation

Find technical documentation you need to get your project up running. Get direct access to our official collection of data sheets, certificates and declarations, manuals and guides, 3D models and drawings, case stories, brochures, and much more. Start searching now at: documentation.danfoss.com.



Danfoss Learning

Danfoss Learning is a free online learning platform. It features courses and materials specifically designed to help engineers, installers, service technicians, and wholesalers better understand the products, applications industry topics, and trends that will help you do your job better. Find your local Danfoss website here: learning.danfoss.com.



Get local information and support

Local Danfoss websites are the main sources for help and information about our company and products. Find product availability, get the latest regional news, or connect with a nearby expert - all in your own language. Find your local Danfoss website here: danfoss.com.

Danfoss A/S

Climate Solutions . danfoss.com . +45 7488 2222

Any information, including, but not limited to information on selection of product, its application or use, product design, weight, dimensions, capacity or any other technical data in product manuals, catalogues description, advertisements, etc. and whether made available in writing, orally, electronically, online or via download, shall be considered informative, and is only binding if and to the extent, explicit reference is made in a quotation or order confirmation. Danfoss cannot accept any responsibility for possible errors in catalogues, brochures, videos and other material. Danfoss reserves the right to alter its products without notice. This also applies to products ordered but not delivered provided that such alterations can be made without changes to form, fit or function of the products. All trademarks in this material are property of Danfoss A/S or Danfoss group companies. Danfoss and the Danfoss logo are trademarks of Danfoss A/S. All rights reserved.
