



Dial Thermometers - TE 100

- Bi-Metals are made of two different metal sheet layers and a spiral form is given, as the metals expansion rates differ from each other, due to these factors it spins upwards around its axis by heat. By a transmission wire this movement it is transmitted to the pointer.
- Used where no high accuracy is needed.

Industry Sector: Machinery Manufacturing, Heating, ventilation, air conditioning (HVAC) and vessel manufacturers



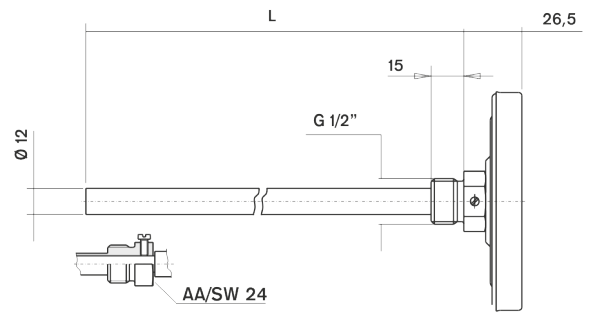
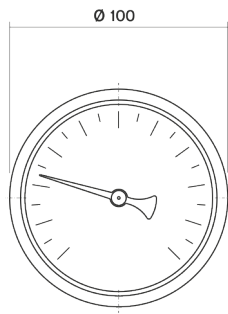
Usage Properties

Conformity	· EN 13190
Accuracy Class	· CL 2.0
Protection Rate	· IP 51
Storage Temperature	· -40 ... +70 °C

Constructive Properties

Mounting Type	· Back Connection
Scale Unit	· °C
Scale Range (T)	· -30/+60°C · 0/+60°C · 0/+120°C · 0/+160°C · · · 0/+300°C · 0/+350°C · 0/+400°C · 0/+500°C
Case	· Stainless Steel AISI-430
Bezel	· Stainless Steel AISI-430
Window	· Glass
Connection	· G 1/2" B
Dial	· Aluminum
Pointer	· ≤ 160 °C Plastic · ≥ 200 °C Aluminum
Temperature Element	· Bi-metal
Bi-Metal Stem	· Brass
Thermowell	· Stainless Steel AISI-316
Immersion Length	· 100mm · 150mm · 200mm · 250mm · 300mm · 400mm · 500mm · 700mm · 1000mm

Technical Drawings - TE 100



- | | | | | | | | | |
|---------|---------|---------|---------|---------|---------|---------|---------|----------|
| L = 100 | L = 150 | L = 200 | L = 250 | L = 300 | L = 400 | L = 500 | L = 700 | L = 1000 |
|---------|---------|---------|---------|---------|---------|---------|---------|----------|

100 402 /