



PRODUCTION RANGE - IRON CONNECTION

CONTROL VALVE - WITH RFS

Connection		Code	
Radiator side	System side	Angle	Straight
G 3/8"	G 3/8"	151.03.00	152.03.00
G 1/2"	G 1/2"	151.04.00	152.04.00

CONTROL LOCKSHIELD - WITH RFS

Connection		Code	
Radiator side	System side	Angle	Straight
G 3/8"	G 3/8"	153.03.00	154.03.00
G 1/2"	G 1/2"	153.04.00	154.04.00

CONTROL VALVE - WITHOUT RFS

Connection		Code	
Radiator side	System side	Angle	Straight
G 3/8"	G 3/8"	151.03.40	152.03.40
G 1/2"	G 1/2"	151.04.40	152.04.40
G 3/4"	G 3/4"	151.05.40	152.05.40

CONTROL LOCKSHIELD - WITHOUT RFS

Connection		Code	
Radiator side	System side	Angle	Straight
G 3/8"	G 3/8"	153.03.40	154.03.40
G 1/2"	G 1/2"	153.04.40	154.04.40
G 3/4"	G 3/4"	153.05.40	154.05.40



PRODUCTION RANGE - COPPER, POLYETHYLENE, RBM Standard THREAD CONNECTION

CONTROL VALVE - WITH RFS

Connection		Code	
Radiator side	System side	Angle	Straight
G 3/8"	W24.5x19F	587.03.00	588.03.00
G 1/2"	W24.5x19F	587.04.00	588.04.00

CONTROL LOCKSHIELD - WITH RFS

Connection		Code	
Radiator side	System side	Angle	Straight
G 3/8"	W24.5x19F	564.03.00	565.03.00
G 1/2"	W24.5x19F	564.04.00	565.04.00

CONTROL VALVE - WITHOUT RFS

Connection		Code	
Radiator side	System side	Angle	Straight
G 3/8"	W24.5x19F	587.03.40	588.03.40
G 1/2"	W24.5x19F	587.04.40	588.04.40

CONTROL LOCKSHIELD - WITHOUT RFS

Connection		Code	
Radiator side	System side	Angle	Straight
G 3/8"	W24.5x19F	564.03.40	565.03.40
G 1/2"	W24.5x19F	564.04.40	565.04.40

CONSTRUCTION FEATURES

Body:	Nickel-plated brass
Seals:	Ethylene-propylene elastomer (EDPM) and nitrile elastomer (NBR)
Handwheel:	ABS
Inlet connection:	F UNI-EN-ISO 228 or W24.5x19F
Outlet connection:	M UNI-EN ISO 228

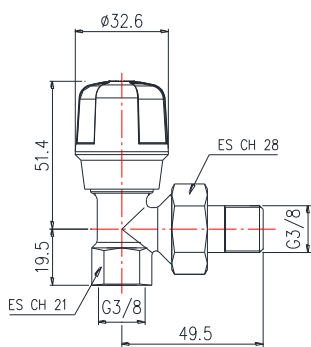
TECHNICAL FEATURES

Working T _{MAX} :	110°C
Working P _{MAX} :	10 bar (1000 kPa)

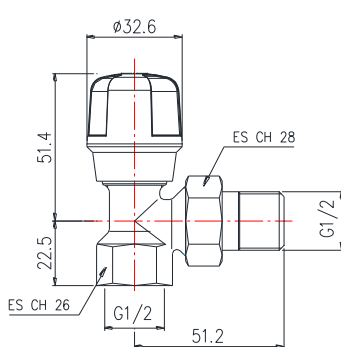
DIMENSIONAL FEATURES

IRON CONNECTION

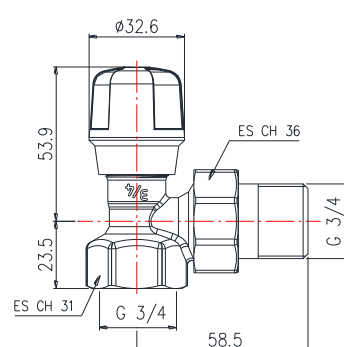
ANGLE VALVE



Cod. 151.03.X0

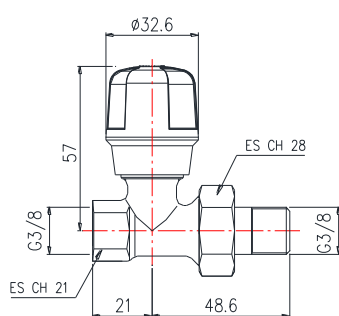


Cod. 151.04.X0

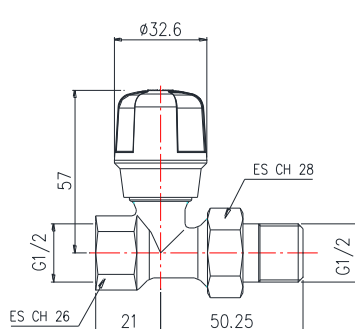


Cod. 151.05.40

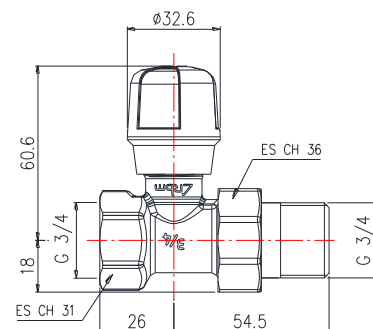
STRAIGHT VALVE



Cod. 152.03.X0

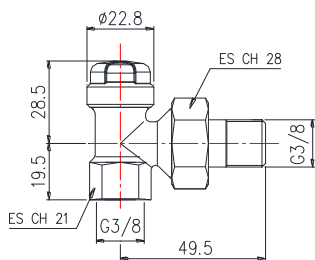


Cod. 152.04.X0

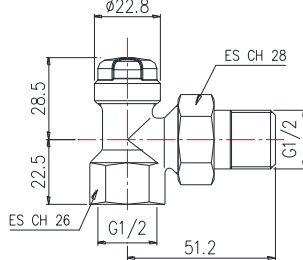


Cod. 152.05.40

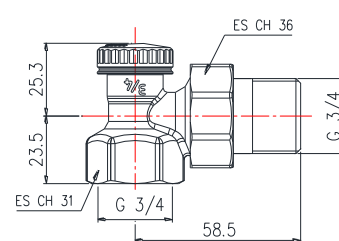
ANGLE LOCKSHIELD



Cod. 153.03.X0

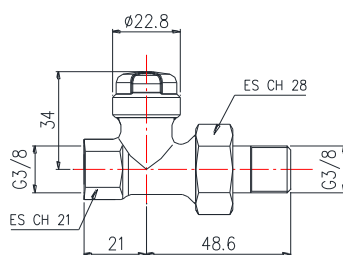


Cod. 153.04.X0

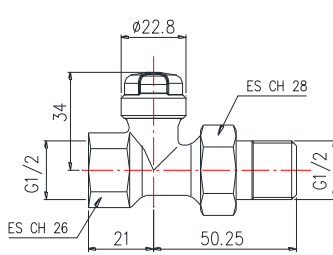


Cod. 153.05.40

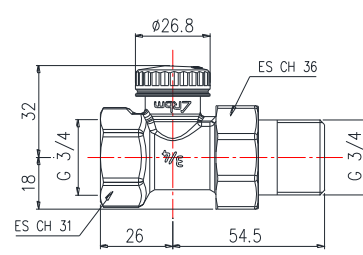
STRAIGHT LOCKSHIELD



Cod. 154.03.X0



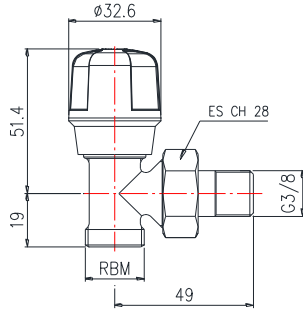
Cod. 154.04.X0



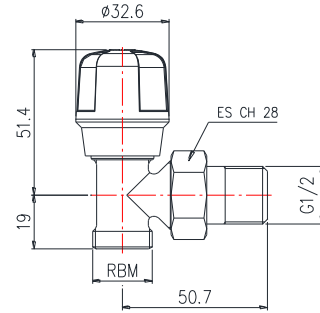
Cod. 154.05.40

COPPER, POLYETHYLENE, RBM Standard THREAD CONNECTION

ANGLE VALVE

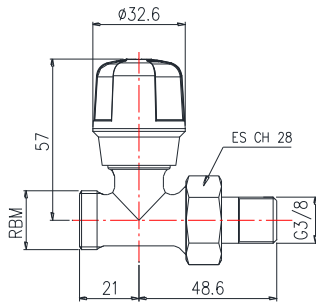


Cod. 587.03.X0

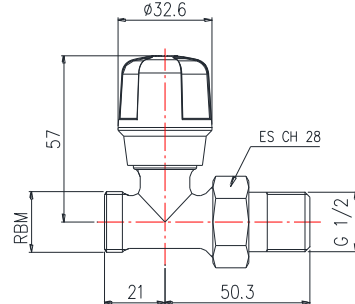


Cod. 587.04.X0

STRAIGHT VALVE

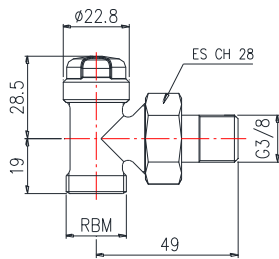


Cod. 588.03.X0

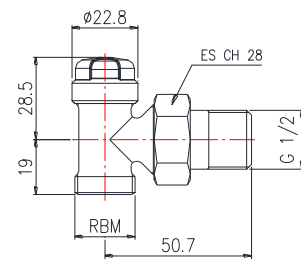


Cod. 588.04.X0

ANGLE LOCKSHIELD

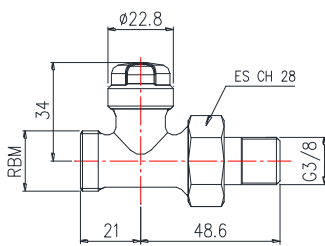


Cod. 564.03.X0

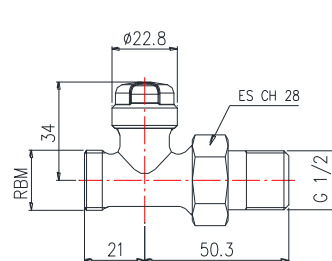


Cod. 564.04.X0

STRAIGHT LOCKSHIELD



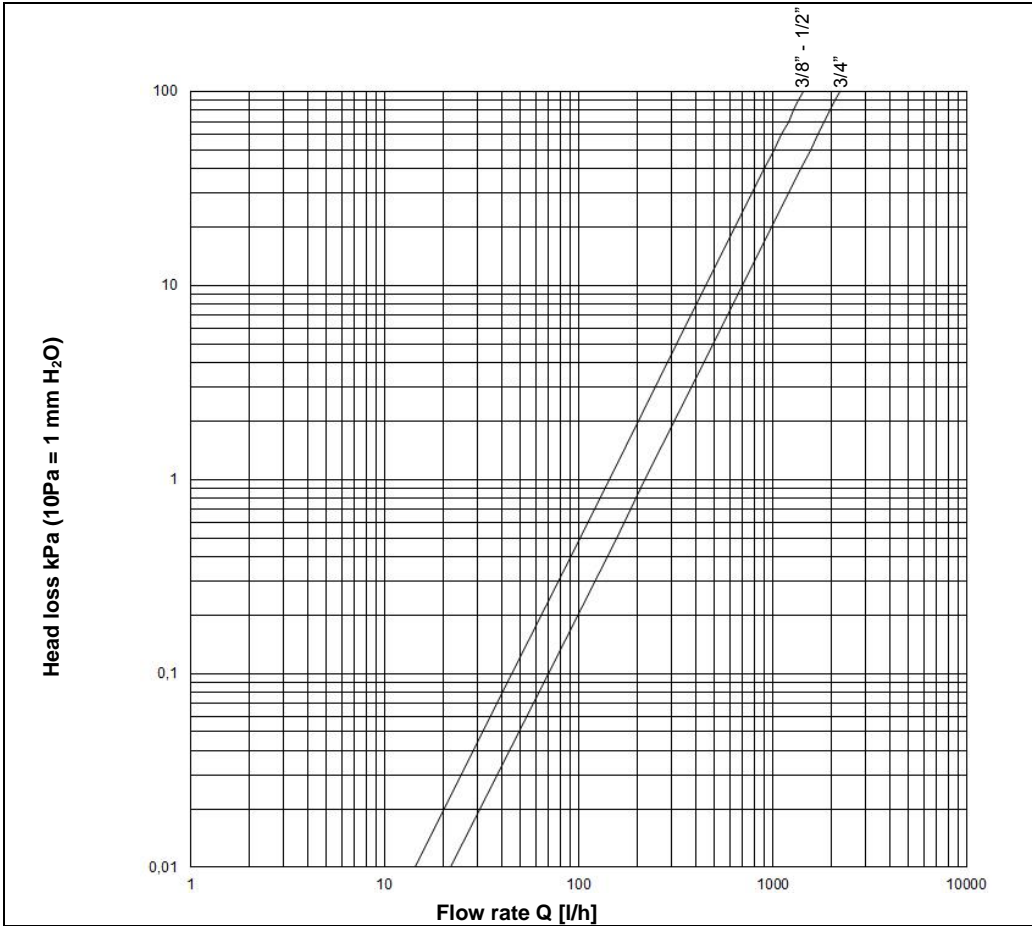
Cod. 565.03.X0



Cod. 565.04.X0

FLUID DYNAMICS FEATURES

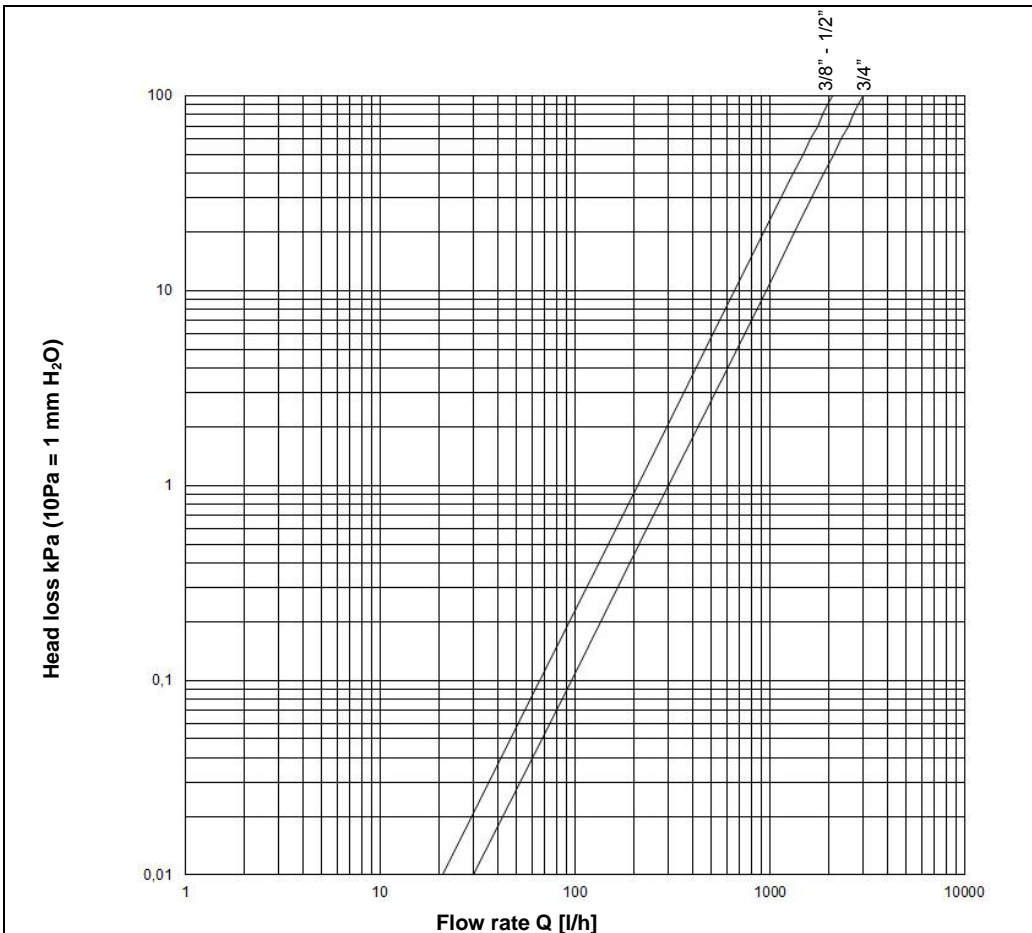
STRAIGHT VALVES SERIES 588 – 152



Valve 3/8" e 1/2"
Kv [m³/h]
1,43

Valve 3/4"
Kv [m³/h]
2,20

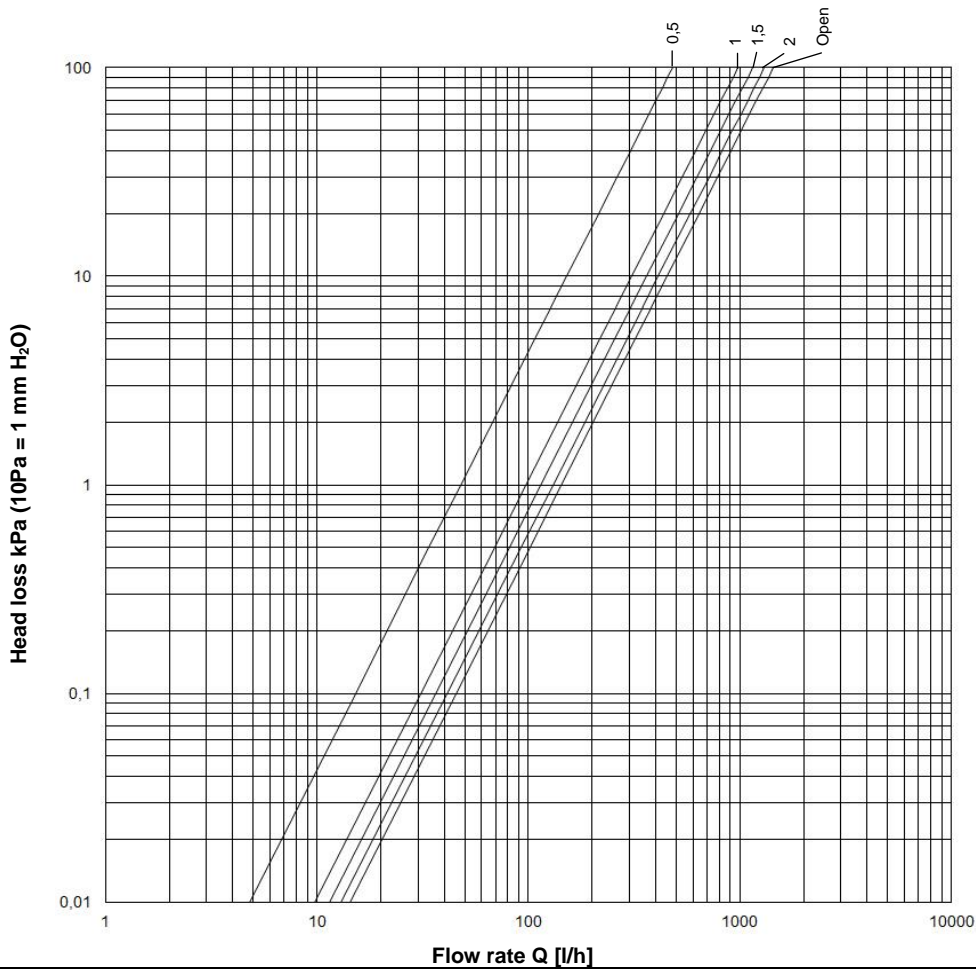
ANGLE VALVES SERIES 587 – 151



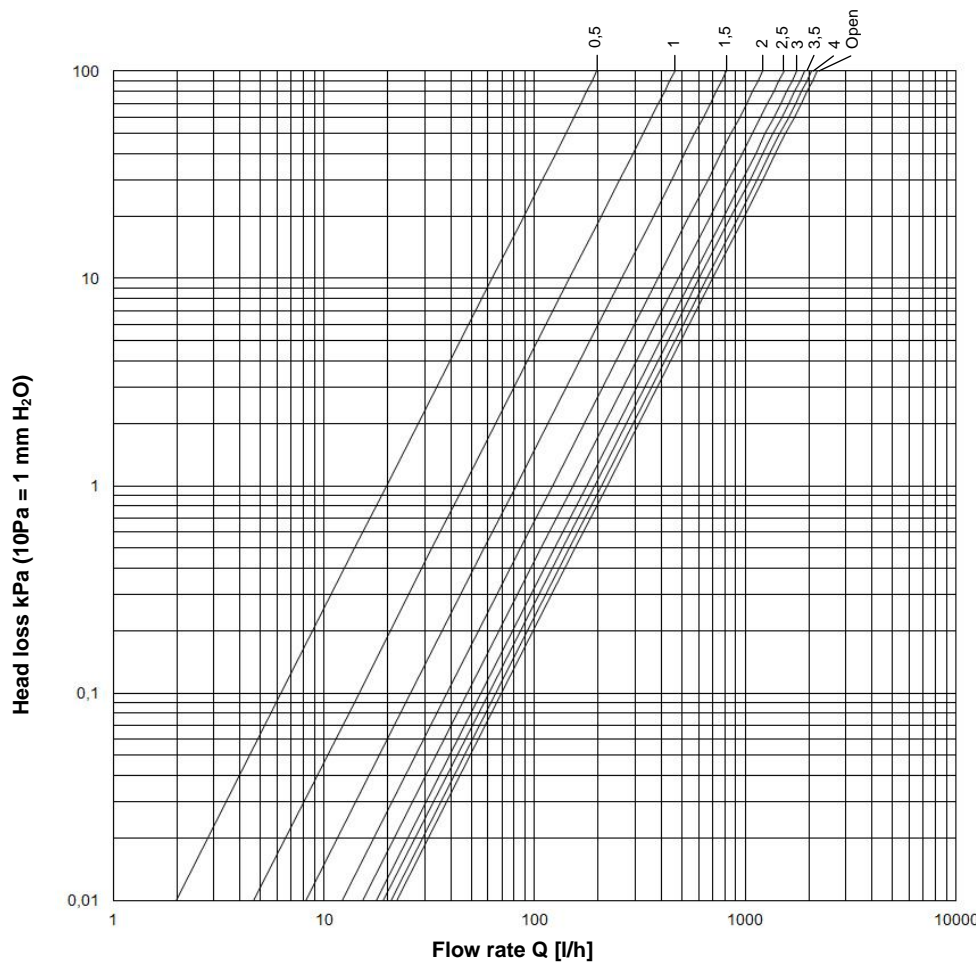
Valve 3/8" e 1/2"
Kv [m³/h]
2,09

Valve 3/4"
Kv [m³/h]
3,01

STRAIGHT LOCKSHIELD SERIES 565 – 154

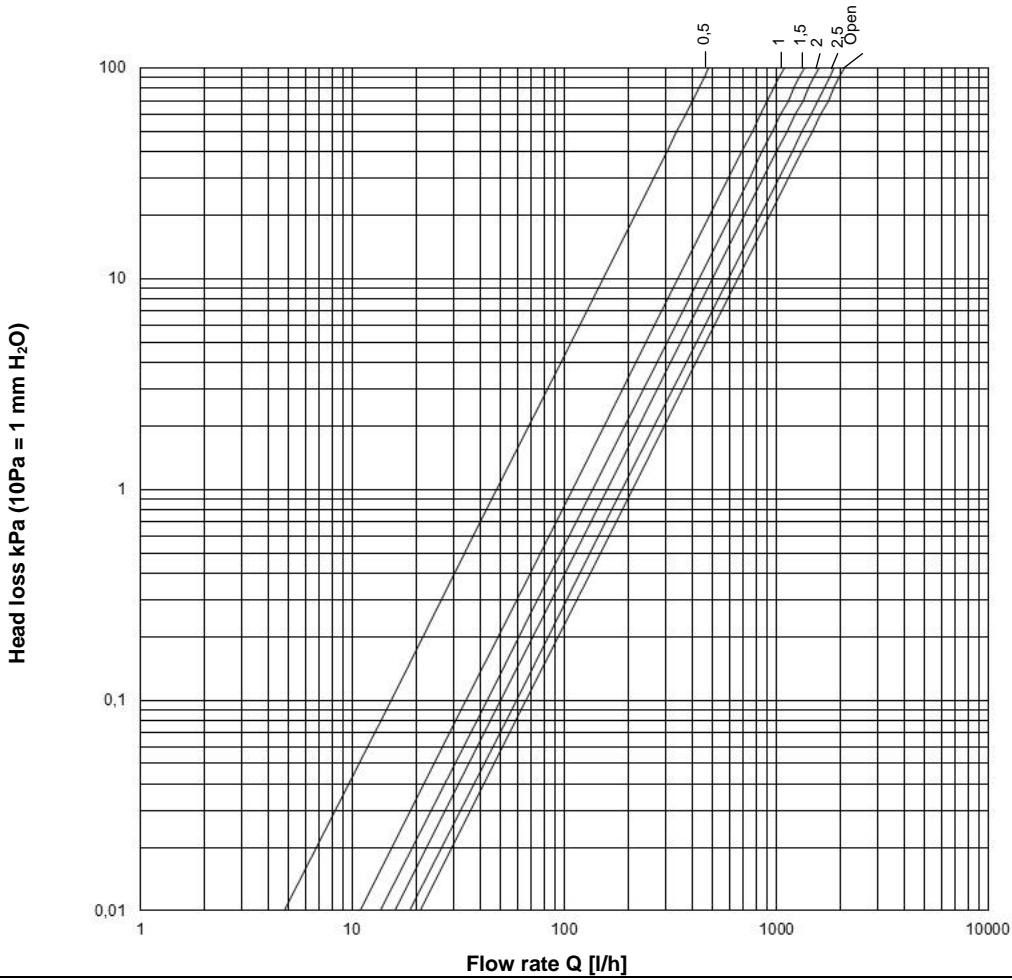


Lockshield 3/8" e 1/2"	
rpm	Kv [m ³ /h]
0,5	0,48
1	0,96
1,5	1,15
2	1,30
Open	1,43

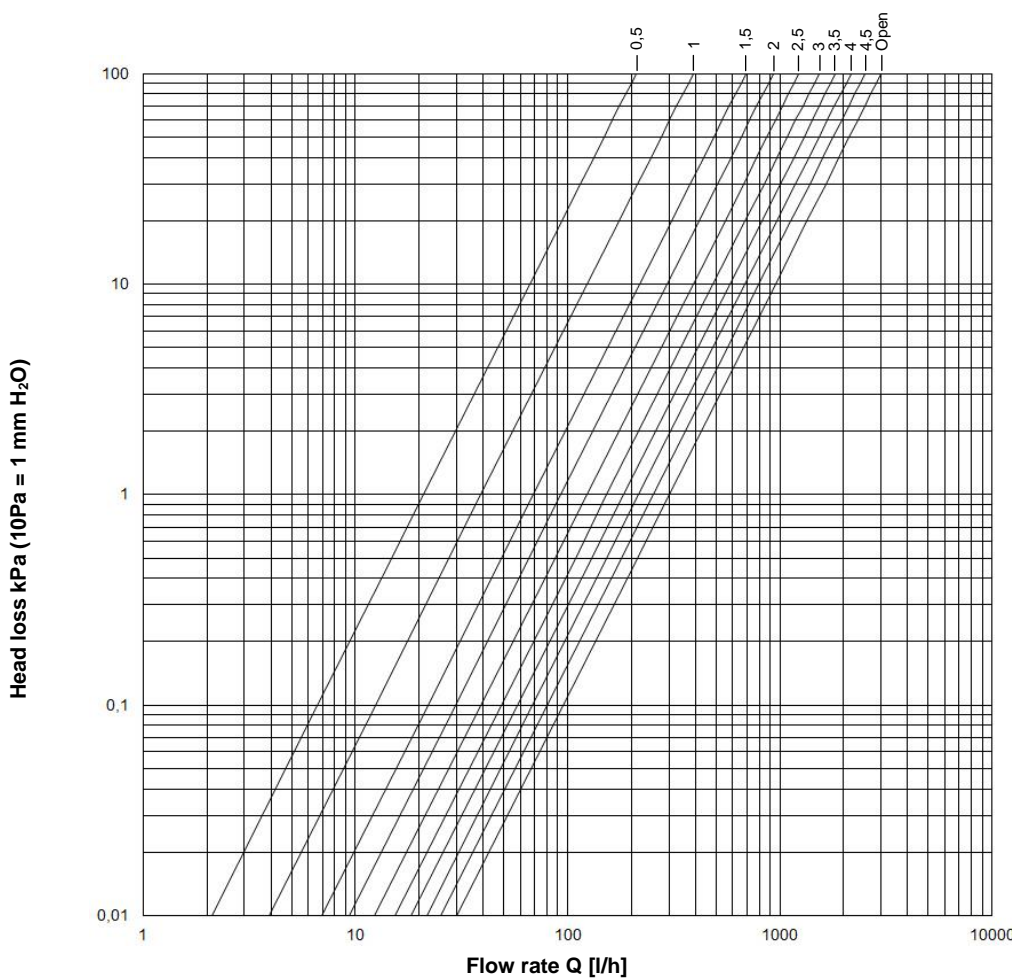


Lockshield 3/4"	
rpm	Kv [m ³ /h]
0,5	0,20
1	0,46
1,5	0,82
2	1,21
2,5	1,52
3	1,76
3,5	1,92
4	2,07
Open	2,20

ANGLE LOCKSHIELD SERIES 564 – 153



Lockshield 3/8" e 1/2"	
rpm	Kv [m ³ /h]
0,5	0,48
1	1,07
1,5	1,36
2	1,59
2,5	1,87
Open	2,09



Lockshield 3/4"	
rpm	Kv [m ³ /h]
0,5	0,21
1	0,39
1,5	0,69
2	0,93
2,5	1,23
3	1,53
3,5	1,84
4	2,17
4,5	2,53
Open	3,01



RBM spa reserves the right to improve and change the described products and relative technical data at any moment and without prior notice: always refer to the instructions attached with the supplied components; this sheet is an aid, should the instructions be extremely schematic. Our technical department is always at your disposal for any doubt, problem or clarification.


RBM Spa
Via S. Giuseppe, 1
25075 Nave (Brescia) Italy
Tel. 030-2537211 Fax 030-2531798
E-mail: info@rbm.eu - www.rbm.eu