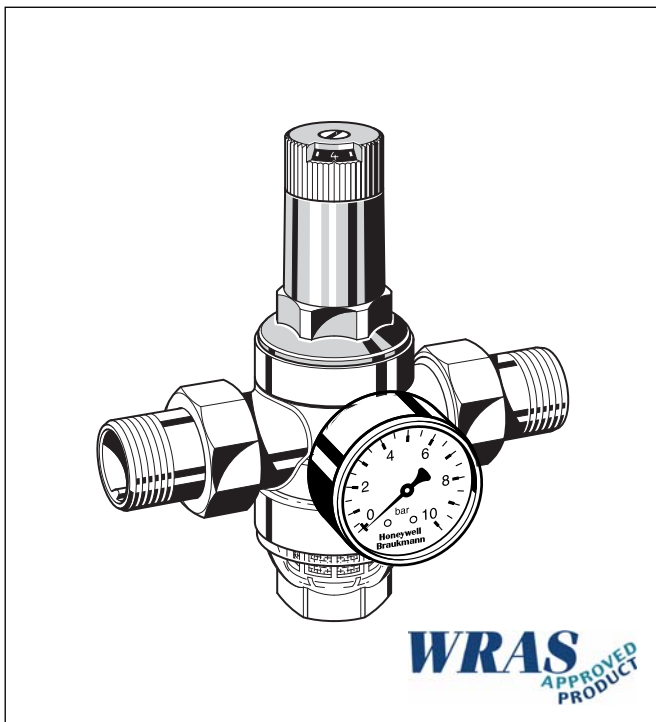


D06F

Pressure reducing valve with balanced seat Standard pattern with set point scale

Product specification sheet



Construction

The pressure reducing valve comprises:

- Housing with G 1/4" pressure gauge connections on both sides
- Threaded connections (options A & B)
- Valve insert complete with diaphragm and valve seat
- Fine filter with 0.16 mm mesh
- Spring bonnet with adjustment knob and setting scale
- Filter bowl
- Adjustment spring
- Pressure gauge not included (see accessories)

Materials

- Dezincification resistant brass housing
- Brass threaded connections
- High-quality synthetic material valve insert
- Stainless steel fine filter mesh
- High-quality synthetic material spring bonnet and adjustment knob
- Clear synthetic or brass filter bowl
- Fibre-reinforced NBR diaphragm
- NBR seals
- Spring steel adjustment spring

Application

D06F pressure reducing valves protect household water installations against excessive pressure from the supply. They can also be used for industrial or commercial applications within the range of their specification. By installing a pressure reducing valve, pressurisation damage is avoided and water consumption is reduced. The set pressure is also maintained constant, even when there is wide inlet pressure fluctuation.

Reduction of the operating pressure and maintaining it at a constant level minimizes flow noise in the installation.

Special Features

- WRAS approved when used with Capron filter bowl – D06F variant only
- The outlet pressure is set by turning the adjustment knob
- The set pressure is directly indicated on the set point scale
- The adjustment spring is not in contact with the potable water
- The valve insert is of high quality synthetic material and can be fully exchanged
- Integral fine filter
- Also available without fittings
- Easily retrofittable to convert valve to a reverse-rinsing filter combination
- Can be retrofitted with an inlet non-return valve
- Inlet pressure balancing - fluctuating inlet pressure does not influence outlet pressure
- Reliable and proven in millions of applications
- Has the capability to regulate "near zero" and no flow conditions equally good, completely eliminates the need for a low flow bypass valve.

Range of Application

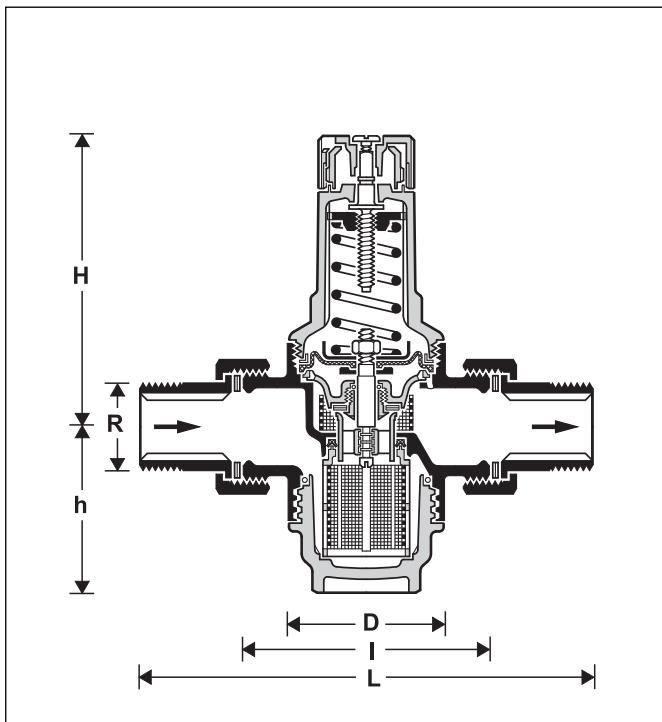
Medium	Water and other non-aggressive liquids, compressed air* and nitrogen*
Inlet pressure	Maximum 25.0 bar
Outlet pressure	1.5 - 6.0 bar (D06F) 1.5 - 12.0 bar (D06FH) 0.5 - 2.0 bar (D06FN)

Technical Data

Operating temperature	Maximum 40 °C with clear or Capron filter bowl Maximum 70 °C with brass filter bowl
Minimum pressure drop	1.0 bar
Connection sizes	1/2" - 2" and 15mm/22mm

* As part of an installation being approved according to PED requirements, this product must also be certified.

EN0H-1002GE23 R0307UK



Method of Operation

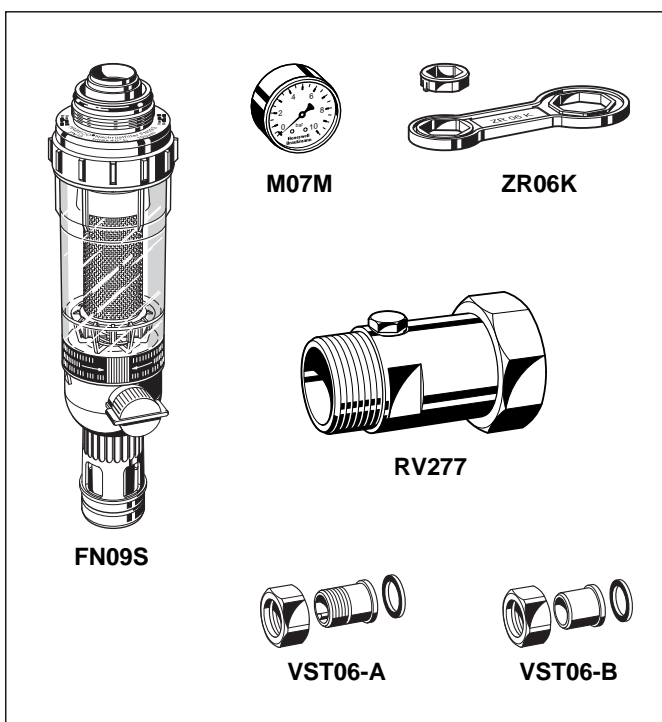
Spring loaded pressure reducing valves operate by means of a force equalising system. The force of a diaphragm operates against the force of an adjustment spring. If the outlet pressure and therefore diaphragm force fall because water is drawn, the then greater force of the spring causes the valve to open. The outlet pressure then increases until the forces between the diaphragm and the spring are equal again. The inlet pressure has no influence in either opening or closing of the valve. Because of this, inlet pressure fluctuation does not influence the outlet pressure, thus providing inlet pressure balancing.

Options

- D06F- ... A = With threaded male connections, clear filter bowl - up to 40 °C
- D06F- ... B = With threaded male connections, brass filter bowl - up to 70 °C
- D06F- ... E = Without fittings, with clear filter bowl - up to 40 °C
Special versions available on request
- D06F-...K = With either 15mm or 22mm compression union tailpieces and brass filter bowl

Connection size

Connection size	R	1/2"	3/4"	1"	1 1/4"	1 1/2"	2"
Nominal size	DN	15	20	25	32	40	50
Weight	approx. (kg)	0.8	1.0	1.4	2.0	3.3	4.5
Dimensions	(mm)						
	L	140	160	180	200	225	255
	l	80	90	100	105	130	140
	H	89	89	111	111	173	173
	h	58	58	64	64	126	126
	D	54	54	61	61	82	82
kvs-value		2.4	3.1	5.8	5.9	12.6	12.0
WRAS Approval No.		0612037 (Applies to Capron and Brass bowls only)					



Accessories

FN09S HABEDO® Retrofit filter

Reverse-rinsing filter for retro-conversion to a filter combination unit of D06F pressure reducing valves made after 1977.

M07M Pressure gauge

Housing diameter 63 mm, rear connection thread G1/4".
Ranges: 0 - 4, 0 - 10, 0 - 16 or 0 - 25 bar.
Please indicate upper value of pressure range when ordering

ZR06K Double ring wrench

For removal of spring bonnet and filter bowl of D06F valves with connection sizes R 1/2" - 2"

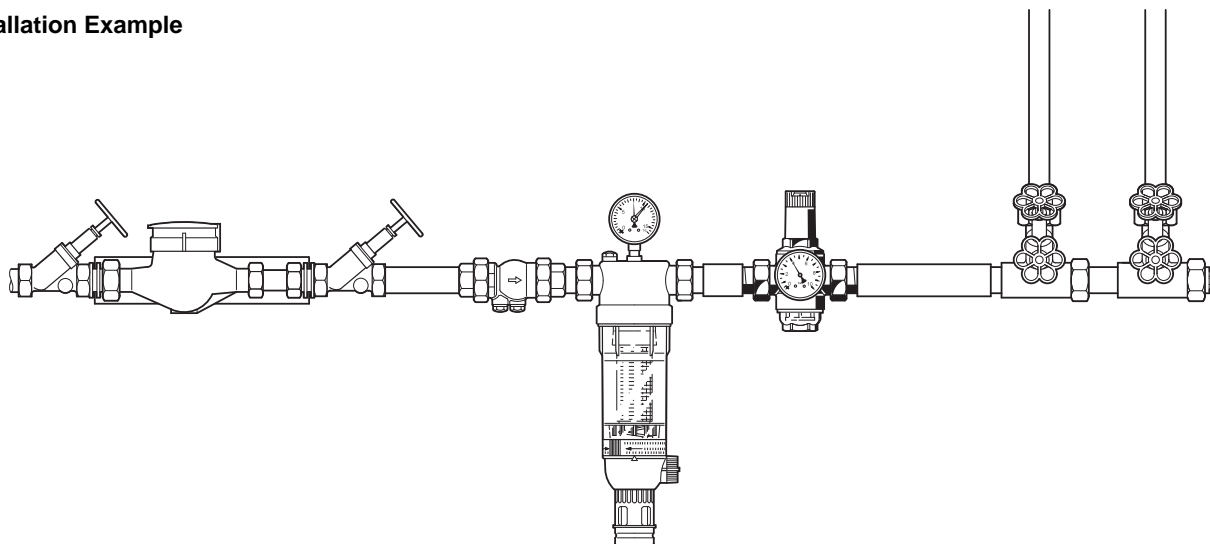
RV277 Inlet non-return valve

For D06F with connection sizes R 3/4" - 2"

VST06 Connection set

Two threaded or soldered connections
A = Threaded connections
B = Solder connections

Installation Example



Connection size	R	1/2"	3/4"	1"	1 1/4"	1 1/2"	2"
W*	(mm)	55	55	55	60	70	70

*Minimum distance from wall to centre line of pipework

Installation Guidelines

- Install in horizontal pipework with the filter bowl downwards
 - This is the most effective position for cleaning
- Fit shut off valves
- Ensure good accessibility
 - So that the pressure gauge can be easily seen
 - Simplifies maintenance and inspection
- For residential applications where maximum protection against dirt is required, install a fine filter upstream of the pressure reducing valve
- If sufficient space is available, it is recommended that a straight section of pipework of at least five times the nominal valve size is provided after the pressure reducing valve

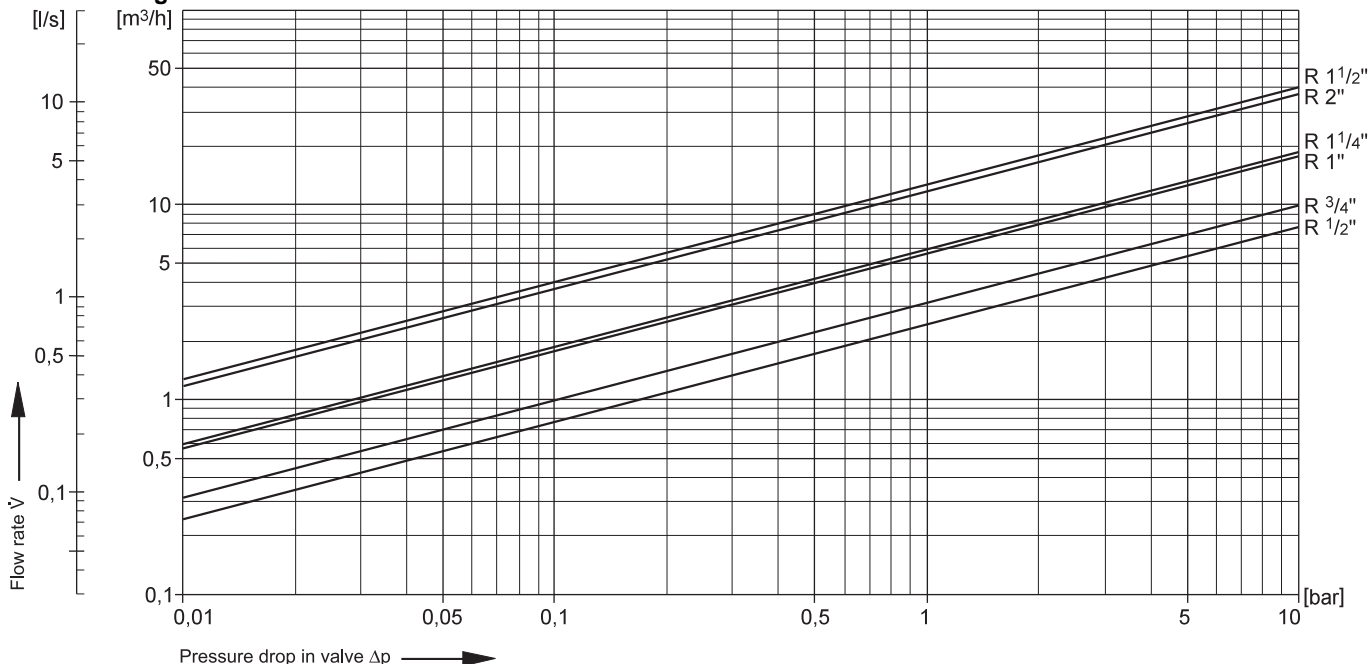
Typical Applications

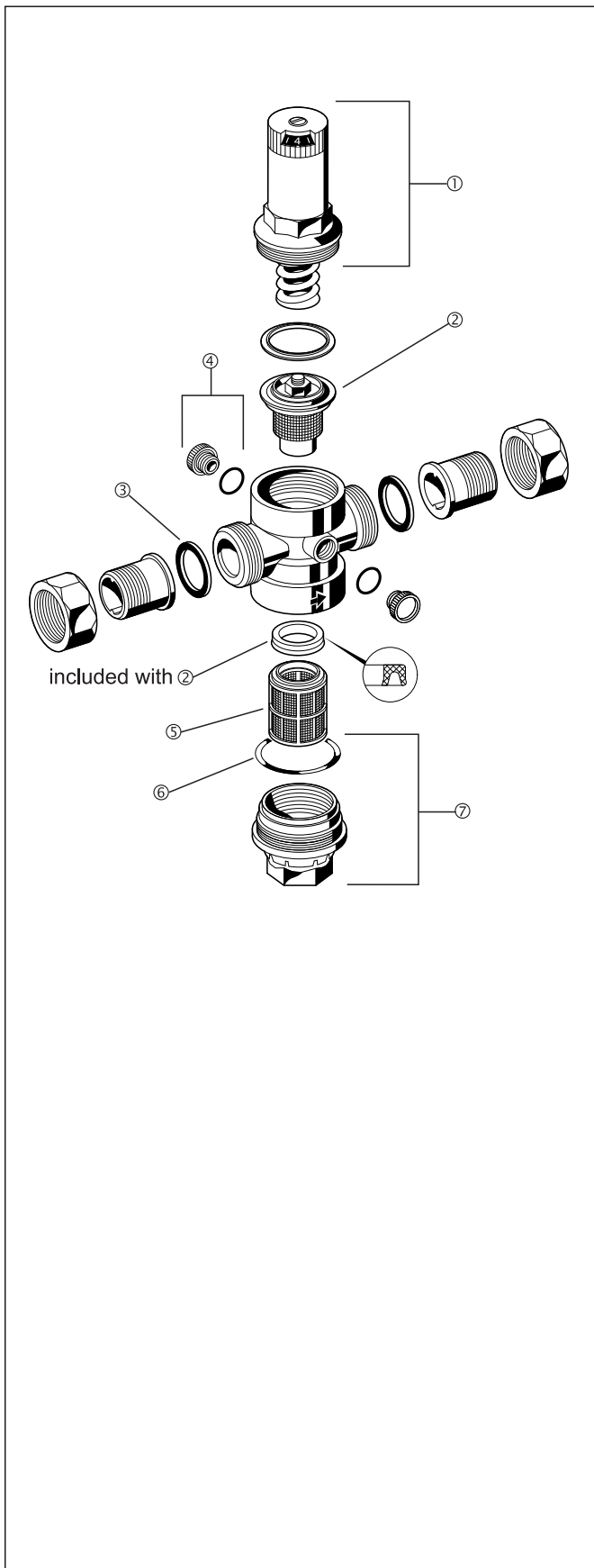
D06F pressure reducing valves are suitable for all types of household water installations. They can also be used for industrial and commercial applications within the range of their specifications.

Pressure reducing valves should be installed:

- If the static pressure exceeds the maximum permissible value for the system
- As protection against noise if the static pressure at take off points exceeds 5.0 bar (DIN 4109: Noise protection in high buildings)
- If several pressure zones are required when a pressurisation system is used (pressure reducers on each storey of a building)
- If pressure fluctuations in the downstream system must be avoided
- To achieve constant outlet pressures on pumped pressure boosting systems

kvs-value Diagram





**Spare Parts for D06F Pressure Reducing Valves
(From 1997 onwards)**

Description	Nominal size	Part number
① Spring bonnet complete	1/2" + 3/4"	0901515
	1" + 1 1/4"	0901516
	1 1/2" + 2"	0901518
② Valve insert complete (without filter)	1/2" + 3/4"	D06FA-1/2
	1" + 1 1/4"	D06FA-1B
	1 1/2" + 2"	D06FA-11/2
③ Gasket ring (10 pcs.)	1/2"	0901443
	3/4"	0901444
	1"	0901445
	1 1/4"	0901446
	1 1/2"	0901447
	2"	0901448
④ Blanking plug with O-ring R 1/4" (5 pcs.)	1/2" - 2"	S06K-1/4
⑤ Replacement filter insert	1/2" + 3/4"	ES06F-1/2A
	1" + 1 1/4"	ES06F-1B
	1 1/2" + 2"	ES06F-11/2A
⑥ O-ring (10 pcs.)	1/2" + 3/4"	0901246
	1" + 1 1/4"	0901499
	1 1/2" + 2"	0901248
⑦ Clear filter bowl with O-ring	1/2" + 3/4"	SK06T-1/2
	1" + 1 1/4"	SK06T-1B
	1 1/2" + 2"	SK06T-11/2
⑦ Brass filter bowl with O-ring	1/2" + 3/4"	SM06T-1/2
	1" + 1 1/4"	SM06T-1B
	1 1/2" + 2"	SM06T-11/2
⑦ Capron filter bowl with O-ring	1/2" + 3/4"	SK06ZH-1/2
	1" + 1 1/4"	SK06ZH-1
	1 1/2" + 2"	SK06ZH-11/2

Honeywell

Honeywell

Arlington Business Park
Bracknell, Berks
RG12 1EB

EN0H-1002GE23 R0307UK

Phone: (44) 1344 656000

Fax: (44) 1344 656454

email: water.control@honeywell.com

web: <http://www.honeywell-valvesizing.com>

Subject to change