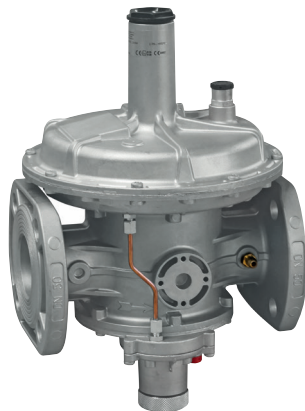


REGOLATORE DI PRESSIONE PER GAS
 GAS PRESSURE REGULATOR
 REGULATEUR DE PRESSION POUR GAZ
 REGULADOR DE PRESIÓN PARA GAS

RG/2MCS

RG/2MBZ


CE $\text{\textcircled{E}x}$ II 2G - II 2D

CE 0497

MADE IN ITALY

	IT	EN	FR	ES
Range pressione di esercizio Operating pressure range Plage de pression de fonctionnement Rango de la presión de funcionamiento	Pe: 0,5÷5 bar			
Attacchi filettati / Threaded connections Raccords filetés / Conexiones roscadas	DN 32 - DN 40 - DN 50			
Attacchi flangiati / Flanged connections Raccords à brides / Conexiones embridadas	DN 32 - DN 40 - DN 50			
Norma di riferimento / Reference standard Norme de référence / Patrón de referencia	EN 88-2			
In conformità a * In conformity with * Conforme a * Conforme *	Direttiva PED 2014/68/UE	PED Directive 2014/68/EU	Directive PED 2014/68/UE	Direttiva PED 2014/68/UE

IT

	pag.
Italiano	3
English	12
Français	21
Español	30
Portate regolatori (tabella 1)	39
Capacities of regulators (table 1)	
Débit des régulateurs (tableau 1)	
Caudal de los reguladores (tabla 1)	

EN

Disegni - Drawings - Dessins - Diseños	40
Caratteristiche molle di regolazione (tabella 2)	44
Regulation spring data (table 2)	
Caracteristiques des ressorts de réglage (tableau 2)	
Características muelles de regulación (tabla 2)	

FR

Codifica prodotto / Product encoding / Codification du produit / Codificación del producto	45
Dimensioni (tabella 5)	51
Dimensions (table 5)	
Dimensions (tableau 5)	
Dimensiones (tabla 5)	

ES

1.0 - GENERAL INFORMATION

This manual shows you how to safely install, operate and use the device.

The instructions for use **ALWAYS** need to be available in the facility where the device is installed.

ATTENTION: installation/maintenance needs to be carried out by qualified staff (as explained in section 1.3) by using suitable personal protective equipment (PPE).

For any information pertaining to installation/maintenance or in case of problems that cannot be solved with the instructions, contact the manufacturer at the address and phone numbers provided on the last page.

1.1 - DESCRIPTION

Device which supplies a preset and constant “downstream” pressure value (Pa) (within the intended operating limits) according to variations in the inlet pressure (Pe) and/or the flow rate (Q). The compensated obturator ensures precision when adjusting the outlet pressure (Pa) even with high and sudden variations in the inlet pressure.

These regulators are used in both civil and industrial installations where natural gas, LPG or other non-corrosive gases (dry gases) are used.

Reference standards: EN 88-2 – EN 13611.

They can be equipped with the following safety devices and accessories according to the system requirements:

- **downstream overpressure shut off device (OPSO):** stops supply when the regulator outlet pressure exceeds the setting value of the device. The OPSO device is always present on these devices.
- **downstream minimum pressure shut off device (UPSO):** stops supply when the regulator outlet pressure drops below the setting value of the device. It also intervenes in the event of an upstream power failure. They can also be supplied without the UPSO device.
- **relief valve:** discharges small gas flows outwards if overpressure occurs downstream of the regulator. This discharge can be conveyed outwards if the installation is in a poorly ventilated environment. They can also be supplied without the relief valve.
- **outlet pressure socket.**

1.2 - KEY TO SYMBOLS



DANGER: In the event of inobservance, this may cause damage to tangible goods.



DANGER: In the event of inobservance, this may cause damage to tangible goods, to people and/or pets.



ATTENTION: Attention is drawn to the technical details intended for qualified staff.

1.3 - QUALIFIED STAFF

These are people who:

- Are familiar with product installation, assembly, start-up and maintenance;
- Know the regulations in force in the region or country pertaining to installation and safety;
- Have first-aid training.



1.4 - USING NON-ORIGINAL SPARE PARTS

- To perform maintenance or replace spare parts (e.g. spring, filter element, etc.) **ONLY** manufacturer-recommended parts can be used. Using different parts not only voids the product warranty, it could compromise correct device operation.
- The manufacturer is not liable for malfunctions caused by unauthorised tampering or use of non-original spare parts.



1.5 - IMPROPER USE

- The product must only be used for the purpose it was built for.
- It is not allowed to use fluids other than those expressly stated.
- The technical data provided on the rating plate must not, under any circumstances, be exceeded. The end user or installer is in charge of implementing correct systems to protect the device, which prevent the maximum pressure indicated on the rating plate from being exceeded.
- The manufacturer is not responsible for any damage caused by improper use of the device.

2.0 - TECHNICAL DATA

• Use	: non-aggressive gases of the three families (dry gases)
• Ambient temperature (TS)	: -20 ÷ +60°C
• Minimum operating pressure	: 0.5 bar
• Max operating pressure	: 5 bar
• Allowable pressure PS	: 5 bar
• Safety lock closing time	: < 1 s
• Accuracy class	: AC=10 - (Pa ± 10%)
• Overpressure shut off accuracy unit	: AG=10
• Closing pressure class	: SG=30
• Relief valve	: tested according to the indications in EN 334
• Connecting the vent	: G 3/8
• Mechanical strength	: Group 2 (according to EN 13611)
• Rp threaded connections	: (DN 32 - DN 40 - DN 50) according to EN 10226
• Flanged connections that can couple with PN 16 flanges	: (DN 32 - DN 40 - DN 50) ISO 7005 / EN 1092-1
• NPT threaded or ANSI 150 flanged connections	: on request
• In compliance with	: PED Directive 2014/68/EU - ATEX Directive 2014/34/EU

2.1 - MODEL IDENTIFICATION (for configurations see page 45 - 50)

RG/2MCS: Pressure regulator - without safety shut-offs

RG/2MBZ: Pressure regulator - with safety shut-offs

3.0 - COMMISSIONING THE DEVICE



3.1 - OPERATIONS PRIOR TO INSTALLATION

- It is necessary to close the gas upstream of the device prior to installation;
- Make sure that the line pressure **DOES NOT EXCEED** the maximum pressure declared on the product label;
- Protective caps (if any) must be removed prior to installation;
- The pipes and inside of the device must be clear of any foreign bodies;

• IMPORTANT:

- to avoid possible pumping and/or disturbances in the gas flow, a straight pipe section equal to at least 5 DN must be installed (downstream of the regulator);
- install manual gas closing devices (e.g. ball valves) upstream and downstream of the regulator to protect it from any pipe leak test;
- do consider that if the regulator is equipped with a relief valve, the latter is suitable for small quantities of gas to be discharged and CANNOT replace the relief valve installed separately as a specific device;

If the device is threaded:

make sure that the pipe thread is not too long, to prevent damaging the body of the device when screwing it on;

If the device is flanged:

- make sure the inlet and outlet counter-flanges are perfectly coaxial and parallel in order to prevent unnecessary mechanical stress to the body. Also calculate the space to insert the seal gasket;
- With regard to tightening operations, equip yourself with one or two calibrated torque wrenches or other controlled locking tools;
- With outdoor installation, it is advisable to install a protective roof to prevent rain from oxidising or damaging parts of the device.



- According to the plant geometry, check the risk of an explosive mixture arising inside the piping;
- If the regulator is installed near other devices or as part of an assembly, compatibility between the regulator and these devices must be evaluated beforehand;
- Provide protection against impact or accidental contact if the device is accessible to unqualified personnel.



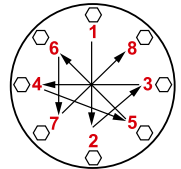
3.2 - INSTALLATION (see examples in 3.4)

Threaded devices:

- Assemble the device by screwing it, with the due seals, onto the plant with pipes and/or fittings whose threads are consistent with the connection being attached;
- Do not use the neck of the top cover (**25**) as a lever to help you screw it on, but only use the specific tool;
- The arrow, shown on the body (**20**) of the device, needs to be pointing towards the application;

Flanged devices:

- Assemble the device by flanging it, with the due seals, onto the plant with pipes whose flanges are consistent with the connection being attached. The gaskets must be free from defects and must be centred between the flanges;
- If, after installing the gaskets, there is still an excessive space in between, do not try to reduce the said gap by excessively tightening the bolts of the device;
- The arrow, shown on the body (**20**) of the device, needs to be pointing towards the application;
- Insert the relative washers inside the bolts in order to prevent damage to the flanges during tightening;
- When tightening, be careful not to "pinch" or damage the gasket;
- Tighten the nuts or bolts gradually, in a "cross" pattern (see the example alongside);
- Tighten them, first by 30%, then by 60% and finally 100% of the maximum torque (see the example alongside, according to EN 13611);
- Tighten each nut and bolt again clockwise at least once, until the maximum torque has been achieved uniformly;



Diameter	DN 32	DN 40	DN 50
Max. torque (N.m)	50	50	50

Common procedures (threaded and flanged devices):

- The regulator is normally positioned before the application. Previously evaluate the possibility of installing the regulator as shown in the installation example in 3.4;
- It can be installed in any position even if the installation shown in 3.4 (installation examples) is preferred. A pressure outlet (**19**) can be found outside the regulator, downstream from it, to control the regulation pressure (Pa);
- It is necessary to connect the pulse outlet with a G 1/4 fitting downstream of the regulator (see installation examples). To do so, remove the cap (**21**);
- Drain the relief valve (if any) outwards (as shown in 3.4) by removing the dust cap (**24**);
- It is always recommended to install a compensation joint;
- During installation, avoid debris or metal residues from getting into the device;
- To guarantee mechanical tension-free assembly, we recommend using compensating joints, which also adjust to the pipe's thermal expansion;
- If the device is to be installed in a ramp, it is the installer's responsibility to provide suitable supports or correctly sized supports, to properly hold and secure the assembly. Never, for any reason whatsoever, leave the weight of the ramp only on the connections (threaded or flanged) of the individual devices;
- In any case, after installation check the tightness of the system, without subjecting the diaphragm of the regulator (therefore, the downstream pipe section) to a pressure higher than 300 mbar (valid only for versions with standard working diaphragm). For versions with reinforced diaphragm, check the tightness with a pressure equal to 1.5 times the regulator setting pressure.

3.3 - INSTALLATION IN PLACES WHERE THERE IS THE RISK OF EXPLOSION (DIRECTIVE 2014/34/EU)

The regulator complies with Directive 2014/34/EU (formerly 94/9/EC) as group II equipment, category 2G and as group II equipment, category 2D; consequently, it is suited for installation in zones 1 and 21 (in addition to zones 2 and 22) as classified in Annex I of Directive 99/92/EC. The regulator is not suited for use in zones 0 and 20 as defined in the aforementioned Directive 99/92/EC. To determine the qualification and size of the danger zones, please refer to standard IEC EN 60079-10-1.

If installed and subject to maintenance in full compliance with all conditions and technical instructions provided in this manual, the device does not pose a source of specific hazards: in particular, under conditions of normal operation, the regulator is expected to emit a flammable substance into the atmosphere only occasionally, and specifically:

The regulator can be dangerous with respect to the presence of other devices nearby if the integrated relief valve is triggered or if the working diaphragm (**22**) or the blocking diaphragm (**27**) fails. If the diaphragm fails, the regulator becomes a source of explosive atmosphere emission of continuous degree and, as such, it can generate hazardous areas 0 as defined in Directive 99/92/EC.

In particularly critical installation conditions (unattended areas, poor maintenance or poor ventilation) and especially if there are potential sources of ignition and/or hazardous equipment near the regulator in regular operation, as they may generate electric arcs or sparks, a preliminary assessment of the compatibility between the regulator and such equipment must be carried out.

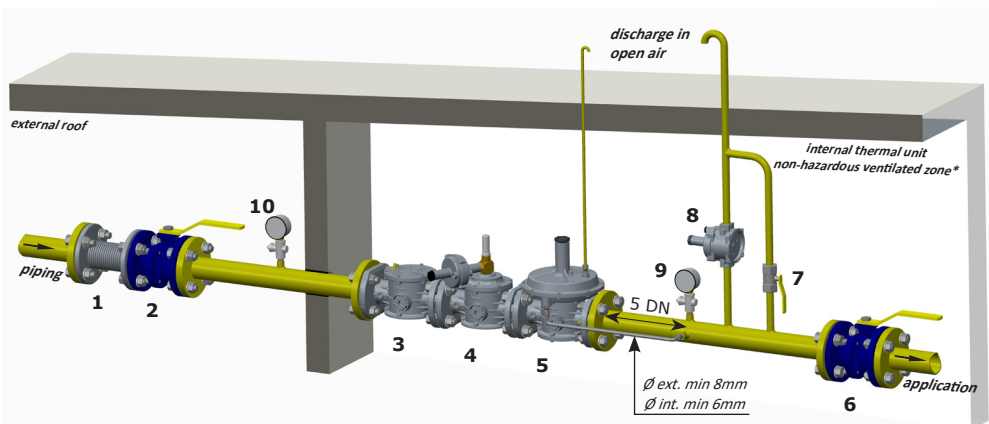
In any case, every useful precaution must be adopted so as to prevent the regulator from generating zones 0: for example, annually verify regular operation, possibility of changing the degree of emission of the source or intervening on the explosive substance discharge by directing it outwards. To do so, simply remove the dust caps (**12**) and (**24**) by connecting the specific pipe (respectively, G 3/8 and G 1/8) conveyed to the outside (see installation examples in 3.4).

3.4 - GENERAL EXAMPLES OF INSTALLATION

EXAMPLE 1 (RG/2MCS)

1. Expansion joint/anti-vibration mount
2. Upstream ball valve
3. FM gas filter
4. OPSO series MVB/1 MAX shut off valve
5. **RG/2MCS pressure regulator**

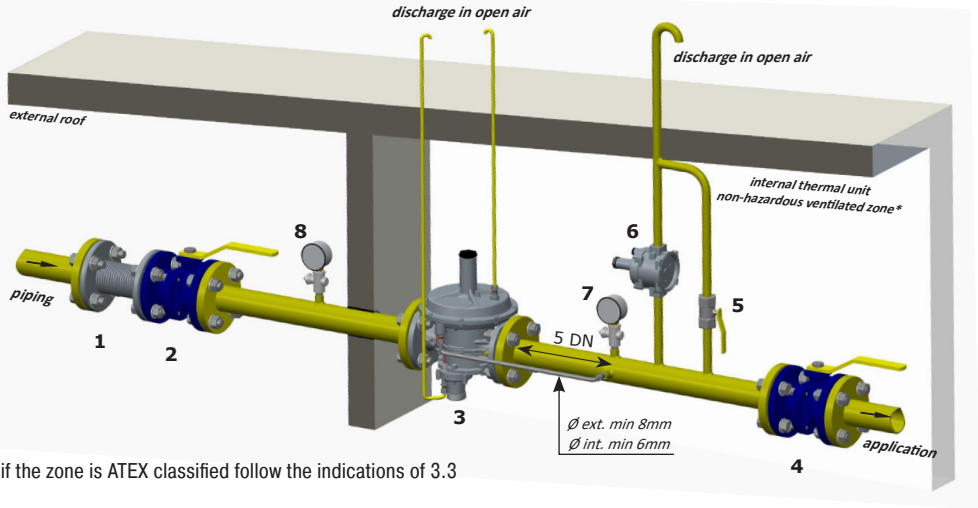
6. Ball valve downstream of the regulator
7. Vent valve
8. MVS/1 relief valve
9. Low pressure gauge and relative button
10. High pressure gauge and relative button



* if the zone is ATEX classified follow the indications of 3.3

EXAMPLE 2 (RG/2MBZ)

1. Expansion joint/anti-vibration mount
2. Upstream ball valve
3. **RG/2MBZ pressure regulator**
4. Ball valve downstream of the regulator
5. Vent valve
6. MVS/1 relief valve
7. Low pressure gauge and relative button
8. High pressure gauge and relative button



* if the zone is ATEX classified follow the indications of 3.3



4.0 - MANUAL RESET

- Make sure that all valves and downstream taps are closed;
- Unscrew the cap (**11**);
- Lightly press the reset pin (**29**), wait a few moments for the pressure to balance and then fully press the reset pin (**29**);
- Hold down the reset pin (**29**), slowly open the valve downstream of the regulator;
- Release the reset pin (**29**);
- Then tighten the cap (**11**) back in the initial position.



5.0 - FIRST START-UP

Before commissioning, verify that:

- all of the instructions on the rating plate, including the direction of flow, are observed;
- the holes of the dust caps (**12**) and (**24**) are not clogged (regulator and shut off);



- **IMPORTANT:** The leak test of the piping must be performed without subjecting the diaphragm of the regulator (therefore, the downstream pipe section) to a pressure higher than 300 mbar (for reinforced diaphragm 1.5 times the regulator setting pressure). Use special manual gas closing devices to avoid damaging the regulator;
 - The pressurisation manoeuvre of the equipment must be carried out very slowly so as to avoid possible damage.
- NOTE:** under no circumstances should a blind cap be installed in place of dust caps (**12**) and (**24**) as the regulator and/or the safety shut offs may not work;

- Close the ball valve downstream of the regulator and partially open the downstream relief valve;
- Slowly open the upstream shut-off devices;
- Close the vent valve;
- Proceed by manually resetting the regulator (see 4.0);
- Close the downstream valve so as to close the regulator (the Pa value increases the SG value to fully close the obturator);
- Check the tightness of the system seals and check the internal/external tightness of the regulator, of the relief valve and of the external sensor tube, if applicable;
- Slowly open the downstream valve and the shut-off valve;
- Check the operation of the regulator.



6.0 - SETTING

Before carrying out the operations, make sure that the supplied spring/s is/are suitable for the desired Pa - OPSO - UPSO and differential relief valve fields.

6.1 - Adjusting the maximum pressure shut off (OPSO)

- Unscrew the cap **(11)**;
- Use the supplied key **(32)** to fully tighten the adjustment ring nut of the maximum shut off **(28)**;
- Start the system, reset the shut off device as indicated in 4.0 and make sure that there is no gas consumption (close the applications downstream of the regulator);

Method 1:

1. Loosen and remove caps **(26)** and **(11)**;
2. Use an 8 mm socket wrench (see fig. 1a and 2a) to press on the nut **(4)**, slowly increasing the downstream pressure to the desired value and simultaneously keep the nut **(4)** pressed; use the key supplied **(32)** to loosen the ring nut **(28)** until the device is triggered;
3. Tighten the caps back to their original position and repeat the Pa setting steps;

Method 2:

1. Alternatively, use an auxiliary gas pressure to slowly increase the downstream pressure to the desired value and simultaneously, use the key supplied **(32)** to loosen the ring nut **(28)** until the device is triggered (so as to avoid having to set the Pa again);
- In both cases, reset the system by following the correct procedure and verify that the trigger value is that desired by repeating the release step 2-3 times;
 - If necessary, adjust the trigger value by turning the ring nut **(28)** with the specific key **(32)**.

6.2 - Adjusting the minimum pressure shut off (UPSO)

- Unscrew the cap **(11)**;
- Use the key supplied **(32)** to loosen the adjustment ring nut of the minimum shut off **(30)** to the minimum;
- Start the system and reset the shut off device as described in 4.0;
- Reduce the downstream pressure to the desired trigger value;
- Use the key supplied **(32)** to tighten the adjustment ring nut **(30)** until the minimum pressure shut off is triggered.
- Reset the system by following the correct procedure and verify that the trigger value is that desired by repeating the release step 2-3 times;
- If necessary, adjust the trigger value by turning the ring nut **(30)** with the specific key **(32)**;

6.3 - Adjusting the relief valve (differential DfRv)

NOTE: The relief valve (if any) in these regulators is differential, therefore the range value (DfRv) indicated must be added to the range value of the outlet pressure (Pa).

Example: Pa=32-60 mbar - DfRv=15-40 mbar.

Means that the relief valve can be calibrated from: $(Pa \text{ min} + DfRv \text{ min}) = 32+15=47 \text{ mbar}$ to: $(Pa \text{ max} + DfRv \text{ max}) = 60+40=100 \text{ mbar}$

Therefore the effective range of the relief valve (in this case) is 47-100 mbar.

- Start the system and set the shut off as described in point 4.0;
- Slowly close the valve downstream of the regulator;
- Loosen and remove the cap **(26)**;
- Use the 8 mm socket spanner (see fig. 1 and 2) to fully tighten the nut **(4)**;
- Use the 8 mm socket spanner to press the adjustment nut **(4)** and increase the pressure Pa, reading it on the pressure gauge, up to the desired setting value;
- Without pressing further, slowly loosen the adjustment nut **(4)** until the pressure Pa begins to decrease, shown on the pressure gauge;
- In this case, the relief valve is set to the desired value;
- Remove the socket spanner and close the cap **(26)**.

6.4 - Adjusting the outlet pressure (Pa)

The outlet pressure Pa (unless specifically requested) is factory-set with the regulator installed as indicated in 3.4 and with the adjustment screw (1) set approximately at the minimum setting value. The safety shut offs/relief valve are set accordingly; If the regulator is installed in different positions, check and reset the outlet pressure Pa, and consequently the devices incorporated in the regulator;

Adjust the outlet pressure as follows:

- Unscrew the cap (26);
- Unscrew the adjustment screw (1) and set it to the minimum setting allowed (threaded end of the top cover (25));
- Start the system or make sure there is a minimum flow downstream of the regulator;
- To increase the pressure calibration downstream of the regulator, tighten the adjustment screw (1) to the desired value. Perform the reading with a calibrated pressure gauge, installed downstream of the regulator to at least 5 DN (see examples in 3.4);
- Screw the cap (26) back on and if necessary, seal it in that position using the appropriate seal holes (if any);
- Use pressure outlets (19) on the device only for zero flow or very low flow measurements.



7.0 - RECOMMENDED PERIODIC CHECKS

- Use a suitable calibrated tool to ensure that the bolts are tightened as indicated in 3.2;
 - Check the tightness of the flanged/threaded connections on the system;
 - Check the tightness and operation of the regulator/shut off/relief valve;
- The final user or installer is responsible for defining the frequency of these checks based on the severity of the service conditions.

7.1 - CHECK THAT THE MAXIMUM PRESSURE SHUT OFF VALVE IS WORKING (OPSO)

Reset the shut off device and close the valve downstream of the regulator;

Method 1:

1. Loosen and remove caps (26) and (11);
2. Use the same tool (shown in fig. 1 and 2) to press the nut (4) and slowly increase the downstream pressure until the device is triggered;
3. Tighten the caps back to their original position and repeat the Pa setting steps (6.4);

Method 2:

1. Alternatively, use an auxiliary gas pressure to slowly increase the downstream pressure until the device is triggered (so as to avoid having to set the Pa again).

7.2 - CHECK THAT THE MINIMUM PRESSURE SHUT OFF VALVE IS WORKING (UPSO)

- Reset the shut off device and close the ball valve upstream of the regulator;
- open the relief valve, downstream of the device, partially and slowly. As the outlet pressure decreases slowly it will cause the minimum shut off to trigger at its setting value;
- Repeat the trigger step 2-3 times to make sure that the system functions correctly. Between one trigger and another, set the downstream pressure back to the setting value.

7.3 - CHECK THE TIGHTNESS OF THE DEVICES (OPSO AND UPSO)

- Fully empty the downstream pipe section (wait a few seconds to allow it to empty completely). The downstream pressure must remain at zero when the relief valve is closed.

7.4 - CHECK THAT THE RELIEF VALVE IS WORKING PROPERLY

- Start the system and set the shut off as described in point 4.0;
- Slowly close the valve downstream of the regulator;
- Loosen and remove the cap **(26)**;
- Use an 8 mm socket spanner to press the adjustment nut **(4)** to increase the pressure Pa above the preset value, while preventing the OPSO shut off from being triggered. Use a calibrated pressure gauge for the reading;
- Remove the socket spanner. The generated overpressure will be discharged outwards and the Pa will begin to decrease to the relief valve setting value. Relief valve operation is verified;
- Close the cap **(26)**;
- Open the relief valve to discharge the created overpressure;
- Close the relief valve (the regulator goes to the closing pressure) and open the ball valve downstream of the regulator.



8.0 - MAINTENANCE



- No maintenance operations need to be carried out inside the device. If operations must be carried out inside the device (changing the spring, replacing the filter, etc.), it is advisable to contact the Technical Department. In any case, before carrying out any dismantling operation on the device, make sure that there is no pressurised gas inside.

9.0 - TRANSPORT, STORAGE AND DISPOSAL

- During transport the material needs to be handled with care, avoiding any impact or vibrations to the device;
- If the product has any surface treatments (ex. painting, cathoporesis, etc) it must not be damaged during transport;
- The transport and storage temperatures must observe the values provided on the rating plate;
- If the device is not installed immediately after delivery it must be correctly placed in storage in a dry and clean place;
- In humid facilities, it is necessary to use driers or heating to avoid condensation;
- At the end of its service life, the product must be disposed of in compliance with the legislation in force in the country where this operation is performed.

10.0 - WARRANTY

The warranty conditions agreed with the manufacturer at the time of the supply apply.


Damage caused by:

- Improper use of the device;
- Failure to observe the requirements described in this document;
- Failure to observe the regulations pertaining to installation;
- Tampering, modification and use of non-original spare parts;





are not covered by the rights of the warranty or compensation for damage.

The warranty also excludes maintenance work, the assembly of parts or non-original spare parts, making changes to the device and natural wear.

11.0 - RATING PLATE DATA

MADAS [®] s.r.l.		Via Moratello, 5/7 - 37045 Legnago (VR) - Italy www.madas.it	
Mod.: RG/2MCS DN 50	PS=Pe:0.5-5 bar	TS: -20+60°C	
Pa: 32-60 mbar DfRv:15-40 mbar		AC10 SG30 EN 88-2	
year: 2018 Lot:U1823 14216/00001	  		 0497

RG/2MCS

MADAS [®] s.r.l.		Via Moratello, 5/7 - 37045 Legnago (VR) - Italy www.madas.it	
Mod.: RG/2MBZ DN 50	PS=Pe:0.5-5 bar	TS: -20+60°C	
Pa: 32-60 mbar Wdso:70-140 mbar		AC10 SG30 AG10 EN 88-2	
Wdsu:10-30 mbar DfRv:15-40 mbar			
year: 2018 Lot:U1823 14216/00001	  		 0497

RG/2MBZ

The rating plate data (see examples above) includes the following:

- Manufacturer's name/logo and address (possible distributor name/logo)
- Mod.: = name/model of the device followed by the connection diameter
- PS = Allowable pressure
- Pe = Maximum pressure or inlet pressure range that product operation is guaranteed at
- TS = Temperature range within which product operation is guaranteed
- Pa = Outlet pressure range
- Wdso = OPSO calibration range that can be achieved with the spring provided (without replacing any part)
- AC = Accuracy class Pa
- SG = Closing pressure class
- AG = Overpressure block accuracy unit
- EN 88-2 = Product reference regulation
- Wdsu = UPSO calibration range that can be achieved with the spring provided (without replacing any part)
- DfRv = Differential relief valve range with respect to Pa
- year = Year of manufacture




- Lot = Product serial number (see explanation below)
 - U1823 = Lot issued in year 2018 in the 23rd week
 - 14216 = progressive job order number for the indicated year
 - 00001 = progressive number referring to the quantity of the lot
-   = In compliance with ATEX Dir. followed by the protection mode
-  **0497** = In compliance with PED directive followed by the no. of the Notified Body

Tabella 1 - Table 1 - Tableau 1 - Tabla 1

PORTATE REGOLATORI / CAPACITIES OF REGULATORS / DÉBIT DES RÉGULATEURS / CAUDAL DE LOS REGULADORES
(Nm³/h) Gas naturale - Natural Gas - Gaz naturel - Gas natural

Modello Model Modèle Modelo	Pa (mbar)	Pressione di ingresso - Inlet Pressure - Pression d'entrée - Presión de entrada					
		0,5 bar	1 bar	2 bar	3 bar	4 bar	5 bar
DN 32	20	270	430	450	450	450	450
	30	270	430	510	510	510	510
	50	270	410	600	620	620	620
	100	250	400	650	740	740	740
	200	190	320	550	740	860	860
	300	190	370	650	890	940	940
	400	110	270	700	930	1100	1100
	600	-	260	680	970	1200	1200
	800	-	230	620	960	1260	1300
DN 40	20	270	430	690	700	700	700
	30	270	430	690	700	700	700
	50	270	430	700	860	870	890
	100	260	420	690	950	1050	1070
	200	200	340	600	850	1020	1170
	300	190	380	670	940	1160	1380
	400	115	270	740	970	1260	1500
	600	-	260	680	970	1280	1500
	800	-	240	620	960	1260	1500
DN 50	20	300	460	750	990	1290	1500
	30	300	460	750	1000	1300	1500
	50	300	460	750	1000	1300	1500
	100	280	450	740	1000	1300	1500
	200	220	370	660	930	1160	1410
	300	210	390	700	960	1250	1500
	400	124	320	620	960	1270	1600
	600	-	290	680	1000	1300	1580
	800	-	240	650	990	1280	1570
DN 50 tubo uscita DN 80 outlet DN 80 pipe tube aval DN 80 tubería de aguas abajo DN 80	20	300	470	760	1000	1300	1500
	30	300	470	760	1000	1300	1500
	50	300	470	760	1000	1300	1500
	100	280	460	750	1010	1300	1500
	200	240	410	710	970	1100	1410
	300	220	420	730	990	1300	1500
	400	146	360	630	1020	1310	1600
	600	-	315	690	1020	1310	1600
	800	-	240	650	990	1280	1570

* Dati ricavati CON L'UTILIZZO del tubetto sensore esterno.

* Data obtained USING the external sensor tube.

* Données obtenues AVEC L'UTILISATION du tube capteur extérieur.

* Datos obtenidos USANDO el tubo sensor externo.

Aria - Air - Air - Aire = 0,806
Gas naturale - Natural Gas - Gaz naturel - Gas natural = 1
Gas di città - Town gas - Gaz de ville - Gas de ciudad = 1.177
GPL - LPG - Gaz de pétrole liquéfié - Gas líquido = 0.62

IT

EN

FR

ES

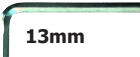

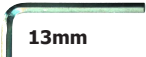
fig. 1 - RG/2MCS

IT

EN

FR

ES

RG/2MCS - RG/2MBZ		
● Utensile necessario per taratura Pa / Required tool for setting Pa ●		
Outil nécessaire pour régler Pa / Herramienta requerida para calibración de Pa		
Pa Range (mbar)	con sfioro / with relief avec évacuation / con alivio	senza sfioro / without relief sans évacuation / sin alivio
10 ÷ 22	 13mm	
17 ÷ 32		
32 ÷ 60		
50 ÷ 95		
85 ÷ 180		
150 ÷ 350*	 13mm	
300 ÷ 500*		
500 ÷ 800*		
* = versioni con membrana rinforzata = versions with reinforced diaphragm * = versions avec membrane renforcée = versiones con membrana reforzada		

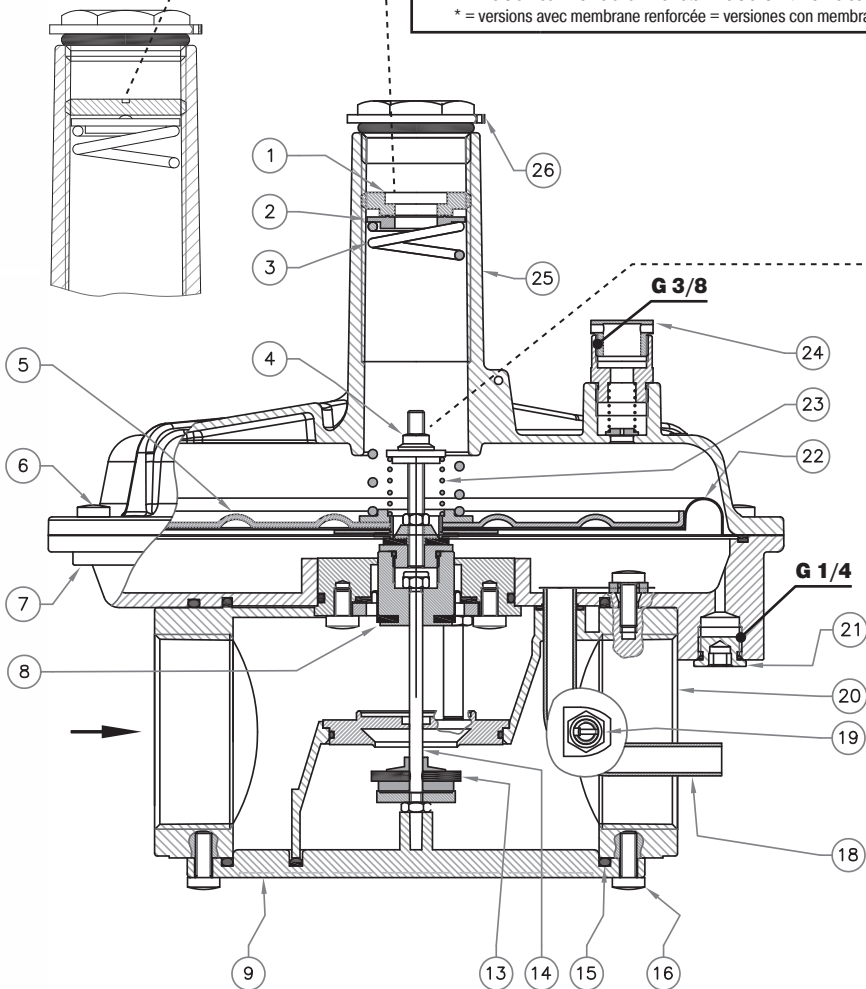
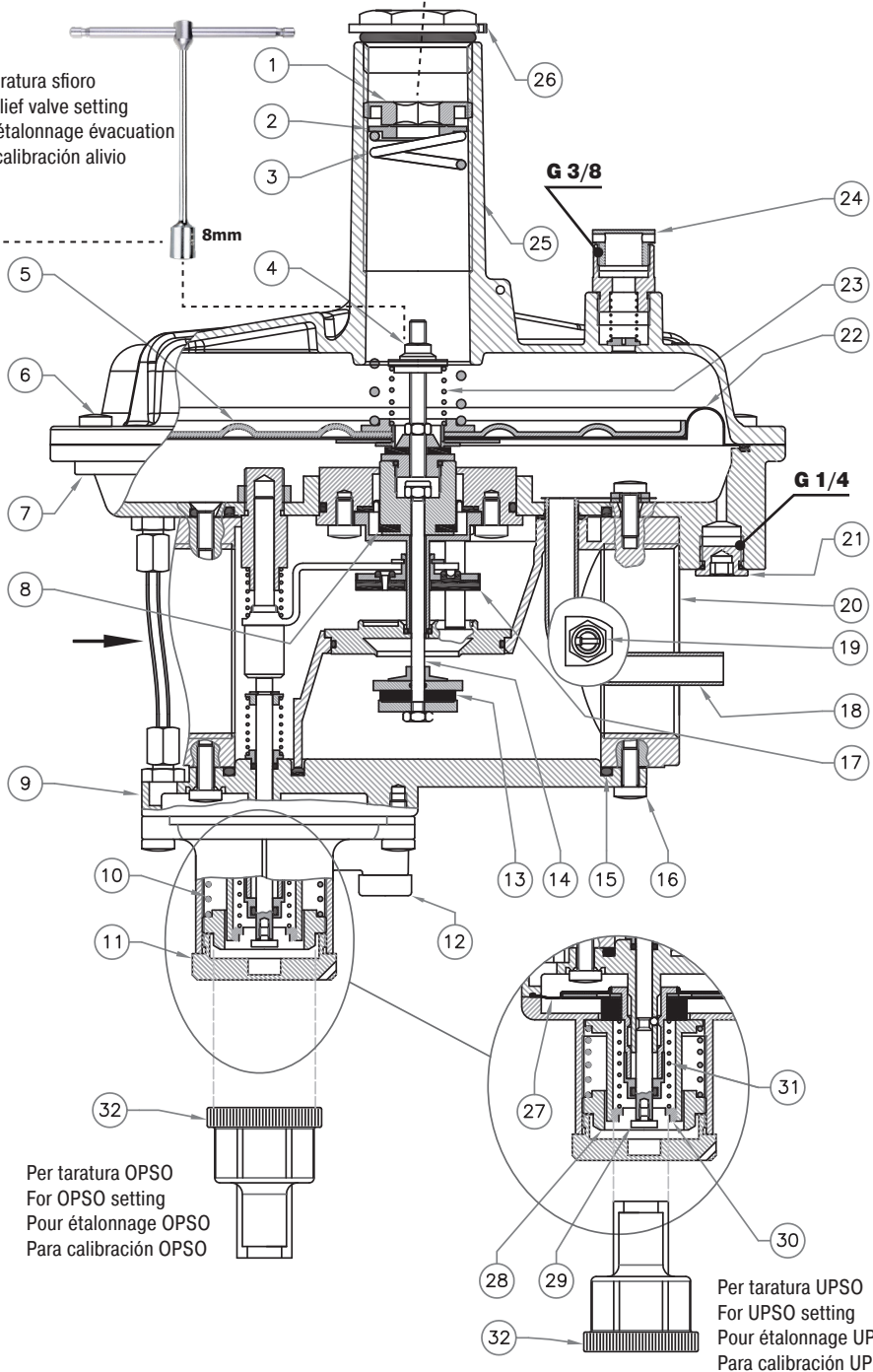


fig. 2 - RG/2MBZ

Versione con sfioro / Version with relief valve
 Version avec évacuation / Versión con alivio

Per taratura sfioro
 For relief valve setting
 Pour étalonnage évacuation
 Para calibración alivio



IT

EN

FR

ES

IT

fig. 1 e 2

1. Regolazione pressione di uscita (Pa)
2. Rondella per molla
3. Molla di taratura Pa
4. Regolazione sfioro
5. Disco superiore per membrana
6. Viti di fissaggio coperchio superiore
7. Flangia
8. Membrana di compensazione
9. Fondello
10. Molla di taratura OPSO
11. Tappo di chiusura inferiore
12. Tappo antipolvere G 1/8
13. Otturatore (regolatore)
14. Perno centrale (regolatore)
15. O-Ring di tenuta coperchio inferiore
16. Viti di fissaggio coperchio inferiore
17. Otturatore (blocco di sicurezza)
18. Tubo sensore interno
19. Presa di pressione (optional)
20. Corpo
21. Tappo G 1/4 per presa impulso esterna
22. Membrana di funzionamento (regolatore)
23. Molla di taratura sfioro
24. Tappo antipolvere G 3/8 (scarico sfioro)
25. Coperchio superiore
26. Tappo di chiusura superiore
27. Membrana di funzionamento (blocco)
28. Regolazione taratura OPSO
29. Perno di riarmo blocco di sicurezza
30. Regolazione taratura UPSO
31. Molla di taratura UPSO
32. Chiave speciale per taratura (OPSO/UPSO)

EN

fig. 1 and 2

1. Outlet pressure regulation (Pa)
2. Spring washer
3. Pa Setting spring
4. Relief valve regulation
5. Top disk for diaphragm
6. Top cover clamping screws
7. Flange
8. Compensation diaphragm
9. Bottom
10. OPSO Setting spring
11. Lower closing cap
12. Dust cap G 1/8
13. Obturator (regulator)
14. Centre pin (regulator)
15. Bottom cover sealing O-Ring
16. Bottom cover clamping screws
17. Obturator (safety shut off)
18. Internal sensor tube
19. Pressure test nipple (optional)
20. Body
21. Cap G 1/4 for external pulse outlet
22. Working diaphragm (regulator)
23. Relief valve setting spring
24. Dust cap G 3/8 (relief valve discharge)
25. Top cover
26. Upper closing cap
27. Working diaphragm (shut off)
28. OPSO Setting regulation
29. Safety shut off reset pin
30. UPSO Setting regulation
31. UPSO Setting spring
32. Special spanner for setting (OPSO/UPSO)

FR**fig. 1 et 2**

1. Réglage pression de sortie (Pa)
2. Rondelle pour ressort
3. Ressort d'étalonnage Pa
4. Réglage évacuation
5. Disque supérieur pour membrane
6. Vis de fixation du couvercle supérieur
7. Bride
8. Membrane de compensation
9. Fond
10. Ressort d'étalonnage OPSO
11. Bouchon de fermeture inférieur
12. Bouchon anti-poussière G 1/8
13. Obturateur (régulateur)
14. Pivot central (régulateur)
15. Joint torique d'étanchéité du couvercle inférieur
16. Vis de fixation du couvercle inférieur
17. Obturateur (bloc de sécurité)
18. Tube capteur interne
19. Prise de pression (en option)
20. Corps
21. Bouchon G 1/4 pour prise impulsion externe
22. Membrane de fonctionnement (régulateur)
23. Ressort d'étalonnage évacuation
24. Bouchon anti-poussière G 3/8 (évacuation)
25. Couvercle supérieur
26. Bouchon de fermeture supérieur
27. Membrane de fonctionnement (blocage)
28. Réglage étalonnage OPSO
29. Pivot de réarmement bloc de sécurité
30. Réglage étalonnage UPSO
31. Ressort d'étalonnage UPSO
32. Clé spéciale pour étalonnage (OPSO/UPSO)

ES**fig. 1 y 2**

1. Regulación de la presión de salida (Pa)
2. Arandela para muelle
3. Muelle de calibración Pa
4. Regulación alivio
5. Disco superior para membrana
6. Tornillos de fijación de la tapa superior
7. Brida
8. Membrana de compensación
9. Tapa inferior
10. Muelle de calibración OPSO
11. Tapón de cierre inferior
12. Tapón antipolvo G 1/8
13. Obturador (regulador)
14. Perno central (regulador)
15. Junta tórica de estanqueidad de la tapa inferior
16. Tornillos de fijación de la tapa inferior
17. Obturador (bloqueo de seguridad)
18. Tubo sensor interno
19. Toma de presión (opcional)
20. Cuerpo
21. Tapón G 1/4 para toma de impulso externa
22. Membrana de funcionamiento (regulador)
23. Muelle de calibración alivio
24. Tapón antipolvo G 3/8 (descarga alivio)
25. Tapa superior
26. Tapón de cierre superior
27. Membrana de funcionamiento (bloqueo)
28. Regulación de calibración OPSO
29. Perno de rearme del bloqueo de seguridad
30. Regulación de calibración UPSO
31. Muelle de calibración UPSO
32. Llave especial para calibrado (OPSO/UPSO)

IT

EN

FR

ES

Tabella 2 - Table 2 - Tableau 2 - Tabla 2

Caratteristiche molle di taratura - Setting springs data

Caractéristiques ressorts d'étalonnage - Características de los muelles de calibración

IT
EN
FR
ES

RG/2MCS DN 32 - DN 40 - DN 50			RG/2MBZ DN 32 - DN 40 - DN 50		
Molle di taratura Pa / Pa Setting springs Ressorts d'étalonnage Pa / Muelles de calibración Pa			Molle di taratura Pa / Pa Setting springs Ressorts d'étalonnage Pa / Muelles de calibración Pa		
Range (mbar)	Codice molla Spring code Code ressort Código muelle	dimensioni in mm dimensions in mm mesures en mm dimensiones en mm (d x De x Lo x it)	Range (mbar)	Codice molla Spring code Code ressort Código muelle	dimensioni in mm dimensions in mm mesures en mm dimensiones en mm (d x De x Lo x it)
10 ÷ 22	MO-0825	2,2x29x100x12	10 ÷ 22	MO-0825	2,2x29x100x12
17 ÷ 32	MO-0850	2,2x29x140x18	17 ÷ 32	MO-0850	2,2x29x140x18
32 ÷ 60	MO-0970	2,5x29x155x16	32 ÷ 60	MO-0970	2,5x29x155x16
50 ÷ 95	MO-1000	3,2x29x123x15,5	50 ÷ 95	MO-1000	3,2x29x123x15,5
85 ÷ 180	MO-1370	3,5x29x125x14	85 ÷ 180	MO-1370	3,5x29x125x14
150 ÷ 350*	MO-2550	4X29X98X8	150 ÷ 350*	MO-2550	4X29X98X8
300 ÷ 500*	MO-2580	4,6x29,4x95x9	300 ÷ 500*	MO-2580	4,6x29,4x95x9
500 ÷ 800*	MO-2580	4,6x29,4x95x9	500 ÷ 800*	MO-2580	4,6x29,4x95x9
Molle differenziale sfioro / Differential relief valve springs Ressorts différentiel évacuation / Muelle diferencial de alivio			Molle di taratura OPPO / OPPO Setting springs Ressorts d'étalonnage OPPO / Muelles de calibración OPPO		
10 ÷ 20	MO-0214	1,3x17x40x6	30 ÷ 90	MO-0650	2x35x20x4
15 ÷ 40	MO-0215	1,8x18,4x45x8,5	70 ÷ 140	MO-0780	2,2x35x23,5x3,5
40 ÷ 80	MO-2150	2x17x54x9	90 ÷ 260	MO-0880	2,2x35x27x3
50 ÷ 120	MO-3505	2,5x18x50x8,5	200 ÷ 550	MO-0890	2,5x30x27x3
			500 ÷ 1100*	MO-0990	3x35x33,5x3,5
			Molle di taratura UPSO / UPSO Setting springs Ressorts d'étalonnage UPSO / Muelles de calibración UPSO		
			7 ÷ 20	MO-0104	0,8x17x40x6
			10 ÷ 30	MO-0153	0,9x17x45x7
			30 ÷ 50	MO-0203	1x17x52x7
			50 ÷ 110	MO-0205	1,5x16,5x30,5x5
			Molle differenziale sfioro / Differential relief valve springs Ressorts différentiel évacuation / Muelle diferencial de alivio		
			10 ÷ 20	MO-0214	1,3x17x40x6
			15 ÷ 40	MO-0215	1,8x18,4x45x8,5
			40 ÷ 80	MO-2150	2x17x54x9
			50 ÷ 120	MO-3505	2,5x18x50x8,5

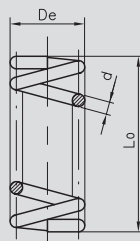
* = versioni con membrana rinforzata. Le tarature contrassegnate con * non sono intercambiabili con le versioni standard (quelle senza *).

* = versions with reinforced diaphragm. Settings marked with * are not interchangeable with standard settings (the one without *).

* = versions avec membrane renforcée. Les étalonnages marqués avec * ne sont pas interchangeables avec les versions standards (ceux sans *).

* = versiones con membrana reforzada. Las calibraciones marcadas con * no son intercambiables con las versiones estándar (sin *).

it= numero di spire totali
 it= total number of turns
 it= nombre total de spires
 it= número total de espiras



**ATTACCHI FILETTATI NPT / NPT THREADED CONNECTIONS
RACCORDS FILETÉS NPT / CONEXIONES ROSCADAS NPT**

richiedere fattibilità / request feasibility / demander la faisabilité / consulte la disponibilidad

Aggiungere la lettera "N" dopo le cifre indicanti gli attacchi	Add the letter "N" after figures denoting the connection	Ajouter la lettre "N" après les chiffres indiquant les connexions	Añadir la letra "N" a continuación de las cifras que indican los diámetros de conexión	Es. / E.g. / Ex. / Ej. RB07 NZ RCS07 N 0000
-----------------------------------------------------------------------	-----------------------------------------------------------------	--------------------------------------------------------------------------	-----------------------------------------------------------------------------------------------	---------------------------------------------------------------------------

**ATTACCHI FLANGIATI ANSI 150 / ANSI 150 FLANGED CONNECTIONS
RACCORDS A BRIDES ANSI 150 / CONEXIONES EMBRIDADAS ANSI 150**

richiedere fattibilità / request feasibility / demander la faisabilité / consulte la disponibilidad

Aggiungere la lettera "A" dopo le cifre indicanti gli attacchi	Add the letter "A" after figures denoting the connection	Ajouter la lettre "A" après les chiffres indiquant les connexions	Añadir la letra "A" a continuación de las cifras que indican los diámetros de conexión	Es. / E.g. / Ex. / Ej. RB50 AZ RCS50 A 0000
-----------------------------------------------------------------------	-----------------------------------------------------------------	--------------------------------------------------------------------------	-----------------------------------------------------------------------------------------------	---------------------------------------------------------------------------

BIOGAS

richiedere fattibilità / request feasibility / demander la faisabilité / consulte la disponibilidad

Aggiungere la lettera "B" dopo la lettera indicante gli attacchi o la configurazione	Add the letter "B" after the letter denoting the connection or configuration	Ajouter la lettre "B" après la lettre indiquant les connexions ou configuration	Añadir la letra "B" a continuación de la letra que indica los diámetros de conexión o la configuración	Es. / E.g. / Ex. / Ej. RB07 ZB RCS07 B 0000
---------------------------------------------------------------------------------------------	-------------------------------------------------------------------------------------	----------------------------------------------------------------------------------------	---------------------------------------------------------------------------------------------------------------	---------------------------------------------------------------------------

**ELASTOMERI IN FKM (Viton) / ELASTOMERS IN FKM (Viton)
ÉLASTOMÈRES EN FKM (Viton) / ELASTÓMEROS DE FKM (Viton)**

Aggiungere la lettera "V" dopo la lettera indicante gli attacchi o la configurazione per avere rondella tenuta e membrana di compensazione in FKM.	Add the letter "V" after the letter denoting the connection or configuration to get the sealing washer and compensation diaphragm in FKM.	Ajouter la lettre "V" après la lettre indiquant les connexions ou configuration pour obtenir rondelle de tenue et membrane de compensation en FKM.	Añadir la letra "V" a continuación de la letra que indica los diámetros de conexión o la configuración para obtener arandela de estanquidad y membrana de compensación en FKM.	Es. / E.g. / Ex. / Ej. RB07 ZV RCS07 V 0000 RB07 ZW RCS07 W 0000
Aggiungere la lettera "W" dopo la lettera indicante gli attacchi o la configurazione per avere rondella tenuta, membrana di compensazione e membrana di funzionamento in FKM.	Add the letter "W" after the letter denoting the connection or configuration to get the sealing washer, compensation diaphragm and working diaphragm in FKM.	Ajouter la lettre "W" après la lettre indiquant les connexions ou configuration pour obtenir rondelle de tenue, membrane de compensation et membrane de fonctionnement en FKM.	Añadir la letra "W" a continuación de la letra que indica los diámetros de conexión o la configuración para obtener arandela de estanquidad, membrana de compensación y membrana de trabajo en FKM.	

**CATAFORESI / CATAPHORESIS
CATAPHORÈSE / CATAFORESIS**

Aggiungere la lettera "K" dopo la lettera indicante gli attacchi o la configurazione	Add the letter "K" after the letter denoting the connection or configuration	Ajouter la lettre "K" après la lettre indiquant les connexions ou configuration	Añadir la letra "K" a continuación de la letra que indica los diámetros de conexión o la configuración	Es. / E.g. / Ex. / Ej. RB07 ZK RCS07 K 0000
---------------------------------------------------------------------------------------------	-------------------------------------------------------------------------------------	----------------------------------------------------------------------------------------	---------------------------------------------------------------------------------------------------------------	---------------------------------------------------------------------------

**COMBINAZIONI POSSIBILI / POSSIBLE COMBINATIONS
COMBINAISONS POSSIBLES / POSIBLES COMBINACIONES**

È possibile combinare tra di loro le versioni. Non serve indicare "BV" in quanto "B" include "V"	It is possible to combine the above mentioned versions. It is not needed to state "BV" as the letter "B" includes "V" too	Les versions peuvent être combinées entre elles. Il n'est pas nécessaire d'indiquer "BV" car "B" comprend "V"	Es posible combinar las versiones entre sí. No es necesario indicar "BV" , dado que "B" incluye "V"	Es. / E.g. / Ex. / Ej. RB07 ZBK RCS07 BK 0000
-----------------------------------------------------------------------------------------------------------------------	------------------------------------------------------------------------------------------------------------------------------------------------	------------------------------------------------------------------------------------------------------------------------------------	--------------------------------------------------------------------------------------------------------------------------	-----------------------------------------------------------------------------

NOTA: È possibile che alcuni modelli non siano disponibili nelle versioni suddette sia singole e/o combinate. È consigliato chiedere SEMPRE la fattibilità.

NOTE: It is possible certain models are not available on the above mentioned versions, both singles and/or combined too. We suggest to ask ALWAYS for the feasibility.

NOTE: Il est possible que certains modèles ne soient pas disponibles dans les versions uniques et / ou combinées susmentionnées. Il est recommandé de TOUJOURS demander la faisabilité.

NOTA: Puede suceder que algunos modelos no estén disponibles en las versiones citadas, ya sean individuales o combinadas. Se aconseja consultar SIEMPRE la viabilidad.

IT

EN

FR

ES

**Tabella costruzione codici 2MCS - Code table construction 2MCS models
Tableau construction code 2MCS - Tabla de construcción de códigos 2MCS**

Modello Model Modèle Modelo	Attacchi Connections Raccords Conexiones		Pa spring No.	OPSO spring No.	UPSO spring No.	RELIEF spring No.
RCS	07	0000	2	X	X	2
Senza filtro Without filter Sans filtre Sin filtro	DN 50	Pe= 0,5 ÷ 5 bar	17 ÷ 32 mbar	senza OPSO without OPSO sans OPSO sin OPSO	senza UPSO without UPSO sans UPSO sin UPSO	15 ÷ 40 mbar

IT

In tabella sono riportati alcuni esempi per illustrare come è possibile combinare tra di loro le molle di taratura.

Per i modelli "2MCS":

- non possono essere presenti OPSO e UPSO (quindi molle n°2 e n°3 sempre indicate con "X");
- si può omettere lo sfioro contrassegnando con una "X" il campo molla corrispondente (n° 4);
- Codice attacchi filettati: 05=DN 32; 06=DN 40; 07=DN 50;
- Codice attacchi flangiati: 32=DN 32 FL; 40=DN 40 FL; 50=DN 50 FL

Non tutte le combinazioni sono possibili, devono essere funzionalmente compatibili. Si consiglia di contattare il nostro ufficio commerciale per la conferma della fattibilità.

EN

The table shows some examples to illustrate how you can combine the setting springs.

For "2MCS" models:

- OPSO and UPSO cannot be present (therefore springs no. 2 and no. 3 always indicated with "X");
- the relief valve can be omitted by marking the corresponding spring field (no. 4) with an "X";
- threaded connections code: 05=DN 32; 06=DN 40; 07=DN 50;
- flanged connections code: 32=DN 32 FL; 40=DN 40 FL; 50=DN 50 FL

Not all combinations are possible, they must be functionally compatible. It is advisable to contact our sales department for confirmation of feasibility.

FR

Le tableau reporte quelques exemples pour illustrer les possibilités de combinaison des ressorts d'étalonnage entre eux.

Pour les modèles « 2MCS » :

- OPSO et UPSO ne peuvent pas être présents (donc ressorts n° 2 et n° 3 toujours indiqués avec « X ») ;
- il est possible d'exclure l'évacuation en marquant avec un « X » le champ ressort correspondant (n° 4) ;
- Code raccords filetés : 05=DN 32; 06=DN 40; 07=DN 50 ;
- Code raccords à brides : 32=DN 32 FL; 40=DN 40 FL; 50=DN 50 FL

Pas toutes les combinaisons sont possibles, elles doivent être fonctionnellement compatibles. Il est conseillé de contacter notre bureau commercial pour la confirmation de la faisabilité.

ES

En la tabla aparecen algunos ejemplos para ilustrar cómo se pueden combinar entre ellos los muelles de calibración.

Para los modelos "2MCS":

- no pueden estar presentes OPSO y UPSO (muelles n°2 y n°3 indicados con "X");
- se puede omitir el alivio marcando con una "X" el campo del muelle correspondiente (n.º 4).
- Código de conexiones roscadas: 05=DN 32; 06=DN 40; 07=DN 50;
- Código de conexiones embreadas: 32=DN 32 FL; 40=DN 40 FL; 50=DN 50 FL

No todas las combinaciones son posibles, deben ser funcionalmente compatibles. Se recomienda contactar con nuestra oficina comercial para confirmar la factibilidad.

Tabella 3 - Table 3 - Tableau 3 - Tabla 3
Codifica prodotto / Product encoding / Codification du produit / Codificación del producto

RG/2MCS

Attacchi Connections Raccords Conexiones	N°	Pa (mbar)	N°	DfRv (mbar)	Attacchi filettati Threaded connections Raccords filetés Conexiones roscadas		Attacchi flangiati Flanged connections Raccords à bride Conexiones embriadas	
					Codice / Code / Code / Códice		Codice / Code / Code / Códice	
DN 32	1	10 ÷ 22	1	10 ÷ 20	RCS050000	1XX1	RCS320000	1XX1
	2	17 ÷ 32	2	15 ÷ 40	RCS050000	2XX2	RCS320000	2XX2
	3	32 ÷ 60	2	15 ÷ 40	RCS050000	3XX2	RCS320000	3XX2
	4	50 ÷ 95	3	40 ÷ 80	RCS050000	4XX3	RCS320000	4XX3
	5	85 ÷ 180	3	40 ÷ 80	RCS050000	5XX3	RCS320000	5XX3
	6	150 ÷ 350*	4	50 ÷ 120	RCS050000	6XX4	RCS320000	6XX4
	7	300 ÷ 500*	4	50 ÷ 120	RCS050000	7XX4	RCS320000	7XX4
	8	500 ÷ 800*	4	50 ÷ 120	RCS050000	8XX4	RCS320000	8XX4
DN 40	1	10 ÷ 22	1	10 ÷ 20	RCS060000	1XX1	RCS400000	1XX1
	2	17 ÷ 32	2	15 ÷ 40	RCS060000	2XX2	RCS400000	2XX2
	3	32 ÷ 60	2	15 ÷ 40	RCS060000	3XX2	RCS400000	3XX2
	4	50 ÷ 95	3	40 ÷ 80	RCS060000	4XX3	RCS400000	4XX3
	5	85 ÷ 180	3	40 ÷ 80	RCS060000	5XX3	RCS400000	5XX3
	6	150 ÷ 350*	4	50 ÷ 120	RCS060000	6XX4	RCS400000	6XX4
	7	300 ÷ 500*	4	50 ÷ 120	RCS060000	7XX4	RCS400000	7XX4
	8	500 ÷ 800*	4	50 ÷ 120	RCS060000	8XX4	RCS400000	8XX4
DN 50	1	10 ÷ 22	1	10 ÷ 20	RCS070000	1XX1	RCS500000	1XX1
	2	17 ÷ 32	2	15 ÷ 40	RCS070000	2XX2	RCS500000	2XX2
	3	32 ÷ 60	2	15 ÷ 40	RCS070000	3XX2	RCS500000	3XX2
	4	50 ÷ 95	3	40 ÷ 80	RCS070000	4XX3	RCS500000	4XX3
	5	85 ÷ 180	3	40 ÷ 80	RCS070000	5XX3	RCS500000	5XX3
	6	150 ÷ 350*	4	50 ÷ 120	RCS070000	6XX4	RCS500000	6XX4
	7	300 ÷ 500*	4	50 ÷ 120	RCS070000	7XX4	RCS500000	7XX4
	8	500 ÷ 800*	4	50 ÷ 120	RCS070000	8XX4	RCS500000	8XX4

* = versioni con membrana rinforzata. Le tarature contrassegnate con * non sono intercambiabili con le versioni standard (quelle senza *).

* = versions with reinforced diaphragm. Settings marked with * are not interchangeable with standard settings (the one without *).

* = versions avec membrane renforcée. Les étalonnages marqués avec * ne sont pas interchangeables avec les versions standards (ceux sans *).

* = versiones con membrana reforzada. Las calibraciones marcadas con * no son intercambiables con las versiones estándar (sin *).

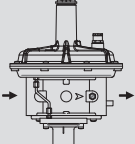
In tabella sono indicati i codici delle versioni più comuni e con sfioro incorporato. Per altre combinazioni vedere indicazioni a pag. 45-46.

The table shows the codes of the more common versions with built-in relief valve. For other combinations see the instructions on page 45-46.

Dans le tableau sont indiqués les codes des versions les plus courantes avec évacuation incorporée. Pour d'autres combinaisons, voir les indications à la page 45-46.

En la tabla se indican los códigos de las versiones más conocidas y con alivio incorporado. Para otras combinaciones, consulte las indicaciones de las páginas 45-46.

**Tabella costruzione codici 2MBZ - Code table construction 2MBZ models
Tableau construction code 2MBZ - Tabla de construcción de códigos 2MBZ**

Modello Model Modèle Modelo	Attacchi Connections Raccords Conexiones	IN/OUT configuration	Pa spring No.	OPSO spring No.	UPSO spring No.	RELIEF spring No.
RB	07	Z	3	2	2	2
Senza filtro Without filter Sans filtre Sin filtro	DN 50		32 ÷ 60 mbar	30 ÷ 120 mbar	10 ÷ 30 mbar	15 ÷ 40 mbar

IT

In tabella sono riportati alcuni esempi per illustrare come è possibile combinare tra di loro le molle di taratura.

Per i modelli "2MBZ" DN 32 - DN 40 - DN 50:

- OPSO è sempre presente, si può omettere UPSO (indicare molla n°3 con "X"), si può omettere lo sfioro (indicare molla n°4 con "X");
- Codice attacchi filettati: 05=DN 32; 06=DN 40; 07=DN 50;
- Codice attacchi flangiati: 32=DN 32 FL; 40=DN 40 FL; 50=DN 50 FL

Non tutte le combinazioni sono possibili, devono essere funzionalmente compatibili. Si consiglia di contattare il nostro ufficio commerciale per la conferma della fattibilità.

EN

The table shows some examples to illustrate how you can combine the setting springs.

For "2MBZ" models DN 32 - DN 40 - DN 50:

- OPSO is always present, UPSO can be omitted (indicate spring no. 3 with "X"), the relief valve can be omitted (indicate spring no. 4 with "X");
- Threaded connections code: 05=DN 32; 06=DN 40; 07=DN 50;
- Flanged connections code: 32=DN 32 FL; 40=DN 40 FL; 50=DN 50 FL

Not all combinations are possible, they must be functionally compatible. It is advisable to contact our sales department for confirmation of feasibility.

FR

Le tableau reporte quelques exemples pour illustrer les possibilités de combinaison des ressorts d'étalonnage entre eux.

Pour les modèles « 2MBZ » DN 32 - DN 40 - DN 50 :

- OPSO est toujours présent, il est possible d'exclure UPSO (indiquer le ressort n° 3 avec « X »), il est possible d'exclure l'évacuation (indiquer le ressort n° 4 avec « X ») ;
- Code raccords filetés : 05=DN 32; 06=DN 40; 07=DN 50 ;
- Code raccords à brides : 32=DN 32 FL; 40=DN 40 FL; 50=DN 50 FL

Pas toutes les combinaisons sont possibles, elles doivent être fonctionnellement compatibles. Il est conseillé de contacter notre bureau commercial pour la confirmation de la faisabilité.

ES

En la tabla aparecen algunos ejemplos para ilustrar cómo se pueden combinar entre ellos los muelles de calibración.

Para los modelos "2MBZ" DN 32 - DN 40 - DN 50:

- OPSO está siempre presente, se puede omitir UPSO (indicar muelle n.º 3 con "X"), se puede omitir el alivio (indicar muelle n.º 4 con "X").
- Código de conexiones roscadas: 05=DN 32; 06=DN 40; 07=DN 50;
- Código de conexiones embridadas: 32=DN 32 FL; 40=DN 40 FL; 50=DN 50 FL

No todas las combinaciones son posibles, deben ser funcionalmente compatibles. Se recomienda contactar con nuestra oficina comercial para confirmar la factibilidad.

Tabella 4a - Table 4a - Tableau 4a - Tabla 4a

Codifica prodotto / Product encoding / Codification du produit / Codificación del producto

RG/2MBZ**ATTACCHI FILETTATI / THREADED CONNECTIONS / RACCORDS FILETÉS / CONEXIONES ROSCADAS**

Attacchi Connections Raccords Conexiones	N°	Pa (mbar)	N°	OPSO RANGE (mbar)	N°	UPSO RANGE (mbar)	N°	DFRv (mbar)	Codice Code Code Código
DN 32	1	10 ÷ 22	1	30 ÷ 90	1	7 ÷ 20	1	10 ÷ 20	RB05Z 1111
	2	17 ÷ 32	1	30 ÷ 90	1	7 ÷ 20	2	15 ÷ 40	RB05Z 2112
	3	32 ÷ 60	2	70 ÷ 140	2	10 ÷ 30	2	15 ÷ 40	RB05Z 3222
	4	50 ÷ 95	2	70 ÷ 140	2	10 ÷ 30	3	40 ÷ 80	RB05Z 4223
	5	85 ÷ 180	3	90 ÷ 260	3	30 ÷ 50	3	40 ÷ 80	RB05Z 5333
	6	150 ÷ 350*	4	200 ÷ 550	4	50 ÷ 110	4	50 ÷ 120	RB05Z 6444
	7	300 ÷ 500*	5	500 ÷ 1100	4	50 ÷ 110	4	50 ÷ 120	RB05Z 7544
	8	500 ÷ 800*	5	500 ÷ 1100	4	50 ÷ 110	4	50 ÷ 120	RB05Z 8544
DN 40	1	10 ÷ 22	1	30 ÷ 90	1	7 ÷ 20	1	10 ÷ 20	RB06Z 1111
	2	17 ÷ 32	1	30 ÷ 90	1	7 ÷ 20	2	15 ÷ 40	RB06Z 2112
	3	32 ÷ 60	2	70 ÷ 140	2	10 ÷ 30	2	15 ÷ 40	RB06Z 3222
	4	50 ÷ 95	2	70 ÷ 140	2	10 ÷ 30	3	40 ÷ 80	RB06Z 4223
	5	85 ÷ 180	3	90 ÷ 260	3	30 ÷ 50	3	40 ÷ 80	RB06Z 5333
	6	150 ÷ 350*	4	200 ÷ 550	4	50 ÷ 110	4	50 ÷ 120	RB06Z 6444
	7	300 ÷ 500*	5	500 ÷ 1100	4	50 ÷ 110	4	50 ÷ 120	RB06Z 7544
	8	500 ÷ 800*	5	500 ÷ 1100	4	50 ÷ 110	4	50 ÷ 120	RB06Z 8544
DN 50	1	10 ÷ 22	1	30 ÷ 90	1	7 ÷ 20	1	10 ÷ 20	RB07Z 1111
	2	17 ÷ 32	1	30 ÷ 90	1	7 ÷ 20	2	15 ÷ 40	RB07Z 2112
	3	32 ÷ 60	2	70 ÷ 140	2	10 ÷ 30	2	15 ÷ 40	RB07Z 3222
	4	50 ÷ 95	2	70 ÷ 140	2	10 ÷ 30	3	40 ÷ 80	RB07Z 4223
	5	85 ÷ 180	3	90 ÷ 260	3	30 ÷ 50	3	40 ÷ 80	RB07Z 5333
	6	150 ÷ 350*	4	200 ÷ 550	4	50 ÷ 110	4	50 ÷ 120	RB07Z 6444
	7	300 ÷ 500*	5	500 ÷ 1100	4	50 ÷ 110	4	50 ÷ 120	RB07Z 7544
	8	500 ÷ 800*	5	500 ÷ 1100	4	50 ÷ 110	4	50 ÷ 120	RB07Z 8544

* = versioni con membrana rinforzata. Le tarature contrassegnate con * non sono intercambiabili con le versioni standard (quelle senza *).

* = versions with reinforced diaphragm. Settings marked with * are not interchangeable with standard settings (the one without *).

* = versions avec membrane renforcée. Les étalonnages marqués avec * ne sont pas interchangeables avec les versions standards (ceux sans *).

* = versiones con membrana reforzada. Las calibraciones marcadas con * no son intercambiables con las versiones estándar (sin *).

In tabella sono indicati i codici delle versioni più comuni e con sfioro incorporato. Per altre combinazioni vedere indicazioni a pag. 45 e 48.
The table shows the codes of the more common versions with built-in relief valve. For other combinations see the instructions on page 45 and 48.
Dans le tableau sont indiqués les codes des versions les plus courantes avec évacuation incorporée. Pour d'autres combinaisons, voir les indications aux pages 45 et 48.

En la tabla se indican los códigos de las versiones más conocidas y con alivio incorporado. Para otras combinaciones, consulte las indicaciones de las páginas 45 y 48.

Tabella 4b - Table 4b - Tableau 4b - Tabla 4b

Codifica prodotto / Product encoding / Codification du produit / Codificación del producto

RG/2MBZ

ATTACCHI FLANGIATI / FLANGED CONNECTIONS / RACCORDS À BRIDE / CONEXIONES EMBRIDADAS

Attacchi Connections Raccords Conexiones	N°	Pa (mbar)	N°	OPSO RANGE (mbar)	N°	UPSO RANGE (mbar)	N°	DfRv (mbar)	Code Code Code Código
DN 32	1	10 ÷ 22	1	30 ÷ 90	1	7 ÷ 20	1	10 ÷ 20	RB32Z 1111
	2	17 ÷ 32	1	30 ÷ 90	1	7 ÷ 20	2	15 ÷ 40	RB32Z 2112
	3	32 ÷ 60	2	70 ÷ 140	2	10 ÷ 30	2	15 ÷ 40	RB32Z 3222
	4	50 ÷ 95	2	70 ÷ 140	2	10 ÷ 30	3	40 ÷ 80	RB32Z 4223
	5	85 ÷ 180	3	90 ÷ 260	3	30 ÷ 50	3	40 ÷ 80	RB32Z 5333
	6	150 ÷ 350*	4	200 ÷ 550	4	50 ÷ 110	4	50 ÷ 120	RB32Z 6444
	7	300 ÷ 500*	5	500 ÷ 1100	4	50 ÷ 110	4	50 ÷ 120	RB32Z 7544
	8	500 ÷ 800*	5	500 ÷ 1100	4	50 ÷ 110	4	50 ÷ 120	RB32Z 8544
DN 40	1	10 ÷ 22	1	30 ÷ 90	1	7 ÷ 20	1	10 ÷ 20	RB40Z 1111
	2	17 ÷ 32	1	30 ÷ 90	1	7 ÷ 20	2	15 ÷ 40	RB40Z 2112
	3	32 ÷ 60	2	70 ÷ 140	2	10 ÷ 30	2	15 ÷ 40	RB40Z 3222
	4	50 ÷ 95	2	70 ÷ 140	2	10 ÷ 30	3	40 ÷ 80	RB40Z 4223
	5	85 ÷ 180	3	90 ÷ 260	3	30 ÷ 50	3	40 ÷ 80	RB40Z 5333
	6	150 ÷ 350*	4	200 ÷ 550	4	50 ÷ 110	4	50 ÷ 120	RB40Z 6444
	7	300 ÷ 500*	5	500 ÷ 1100	4	50 ÷ 110	4	50 ÷ 120	RB40Z 7544
	8	500 ÷ 800*	5	500 ÷ 1100	4	50 ÷ 110	4	50 ÷ 120	RB40Z 8544
DN 50	1	10 ÷ 22	1	30 ÷ 90	1	7 ÷ 20	1	10 ÷ 20	RB50Z 1111
	2	17 ÷ 32	1	30 ÷ 90	1	7 ÷ 20	2	15 ÷ 40	RB50Z 2112
	3	32 ÷ 60	2	70 ÷ 140	2	10 ÷ 30	2	15 ÷ 40	RB50Z 3222
	4	50 ÷ 95	2	70 ÷ 140	2	10 ÷ 30	3	40 ÷ 80	RB50Z 4223
	5	85 ÷ 180	3	90 ÷ 260	3	30 ÷ 50	3	40 ÷ 80	RB50Z 5333
	6	150 ÷ 350*	4	200 ÷ 550	4	50 ÷ 110	4	50 ÷ 120	RB50Z 6444
	7	300 ÷ 500*	5	500 ÷ 1100	4	50 ÷ 110	4	50 ÷ 120	RB50Z 7544
	8	500 ÷ 800*	5	500 ÷ 1100	4	50 ÷ 110	4	50 ÷ 120	RB50Z 8544

* = versioni con membrana rinforzata. Le tarature contrassegnate con * non sono intercambiabili con le versioni standard (quelle senza *).

* = versions with reinforced diaphragm. Settings marked with * are not interchangeable with standard settings (the one without *).

* = versions avec membrane renforcée. Les étalonnages marqués avec * ne sont pas interchangeables avec les versions standards (ceux sans *).

* = versiones con membrana reforzada. Las calibraciones marcadas con * no son intercambiables con las versiones estándar (sin *).

In tabella sono indicati i codici delle versioni più comuni e con sfioro incorporato. Per altre combinazioni vedere indicazioni a pag. 45 e 48.

The table shows the codes of the more common versions with built-in relief valve. For other combinations see the instructions on page 45 and 48.

Dans le tableau sont indiqués les codes des versions les plus courantes avec évacuation incorporée. Pour d'autres combinaisons, voir les indications aux pages 45 et 48.

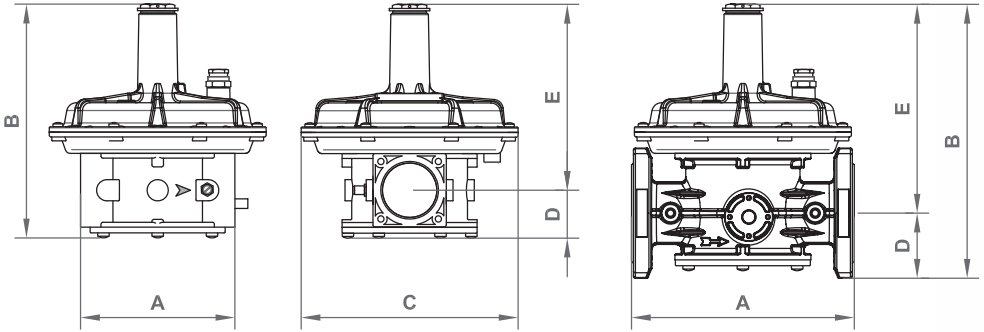
En la tabla se indican los códigos de las versiones más conocidas y con alivio incorporado. Para otras combinaciones, consulte las indicaciones de las páginas 45 y 48.

Tabella 5 - Table 5 - Tableau 5 - Tabla 5

Dimensioni di ingombro in mm - Overall dimensions in mm - Mesures d'encombrement en mm - Dimensiones en mm

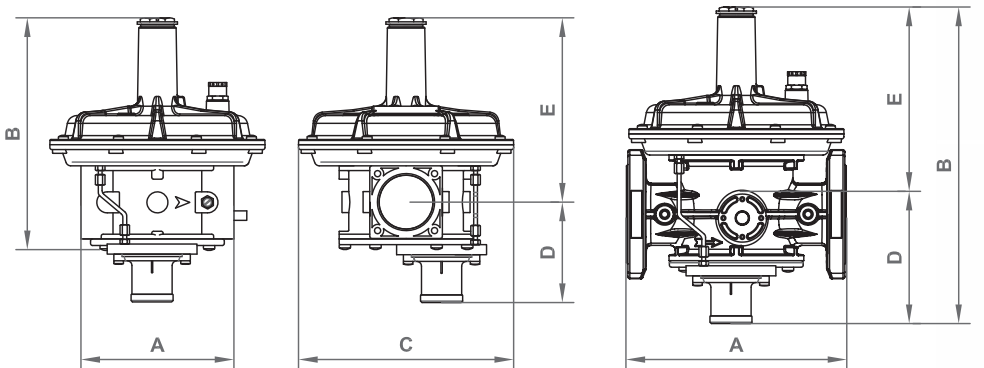
RG/2MCS

Attacchi filettati Threaded connections Raccords filetés Conexiones roscadas	Attacchi flangiati Flanged connections Raccords à bride Conexiones embridadas	A	B	C	D	E
DN 32 - DN 40 - DN 50	-	160	242	225	48,5	193,5
-	DN 32 - DN 40 - DN 50	230	285	225	67,5	217,5



RG/2MBZ

Attacchi filettati Threaded connections Raccords filetés Conexiones roscadas	Attacchi flangiati Flanged connections Raccords à bride Conexiones embridadas	A	B	C	D	E
DN 32 - DN 40 - DN 50	-	160	298	225	105	193
-	DN 32 - DN 40 - DN 50	230	331	225	114,5	216,5



Le dimensioni sono indicative, non vincolanti - The dimensions are provided as a guideline, they are not binding
Les dimensions sont indicatives, non contraignantes - Las dimensiones son indicativas, no vinculantes

IT

EN

FR

ES

Ci riserviamo qualsiasi modifica tecnica e costruttiva.
We reserve the right to any technical and construction changes.
Nous nous réservons le droit de toute modification technique et constructive.
Nos reservamos el derecho de realizar cualquier cambio técnico y estructural.

The logo for MADAS features the word "MADAS" in a bold, red, sans-serif font. The text is centered and flanked by two thick, black horizontal bars, one above and one below, which are slightly wider than the text itself. A registered trademark symbol (®) is positioned to the upper right of the word.