



Pressure Gauges - MG 063

- Used where no high accuracy is needed.
- Used for measuring liquid and gases which are suitable to copper alloys.
- Liquid filled types are used with pulsating pressures or vibrating environments.

Industry Sector: Water treatment technologies, Machinery Manufacturing, Heating, ventilation, air conditioning (HVAC), Pumps/Compressors and Hydraulic/Pneumatics,



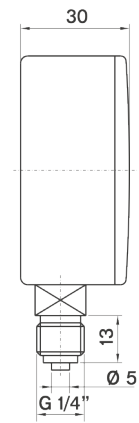
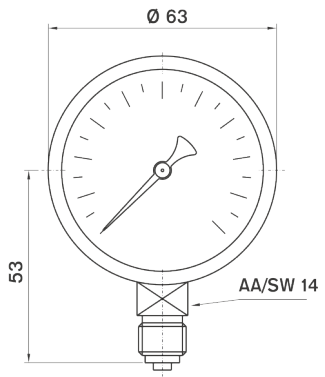
Usage Properties

| | |
|----------------------------|---|
| Operating Pressure (max.) | · Must not exceed %75 ¹ of full scale. |
| Conformity | · EN 837 - 1 |
| Accuracy Class | · CL 2.5 |
| Ambient Temperature | · - 20 ... + 60 °C |
| Protection Rate | · IP 41 |
| Mechanical Vibration Test | · 10Hz-150Hz 1 Octave/minute - 3 axis |
| Mechanical Shock Test Load | · 15g |
| Optimum Operating Range | · Between 0,1 x PN and 0,75 x PN |
| Fluid Temperature | · Maximum + 60 °C |
| Storage Temperature | · -40 ... +70 °C |

Constructive Properties

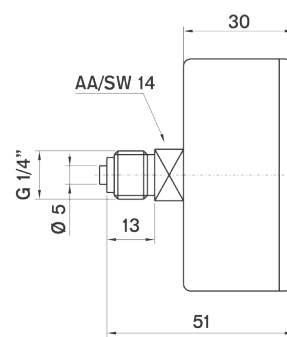
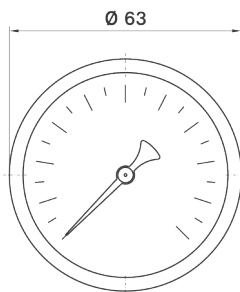
| | |
|--------------------|--|
| Mounting Type | · Bottom Connection |
| Scale Unit | · bar/psi |
| Scale Range (PN) | · 0/0,5 · 0/0,6 · 0/1 · 0/1,6 · 0/2,5 · 0/4 · 0/6 · 0/10 · 0/16 · 0/25 · 0/40 · 0/60 · 0/100 · 0/160 · 0/250 · 0 - 315 · 0/400 · 0/600 |
| Vacuum Scale Range | · -1 / 0 · -1 / +0,6 · -1 / +1,5 · -1 / +3 · -1 / +5 · -1 / +9 |
| Case | · Steel |
| Movement | · Brass |
| Window | · Polycarbonate |
| Wetted Parts | · Copper Alloy |
| Connection | · G 1/4" B |
| Dial | · Aluminum |
| Pointer | · Plastic |
| Welding | · Soldering |

Technical Drawings - MG 063



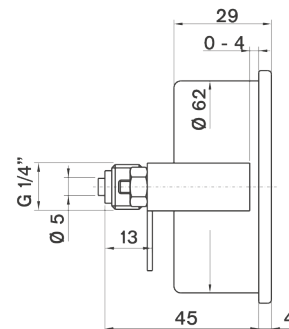
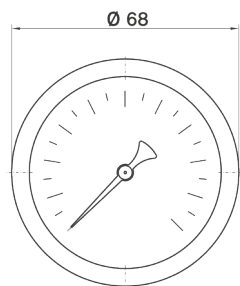
gr.
125

063 10 001 /



gr.
130

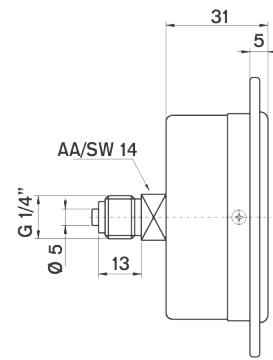
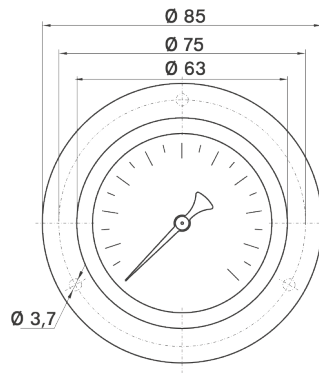
063 10 002 /



gr.
160

063 10 003 /

Technical Drawings - MG 063



063 10 017 /