



## Pressure Gauges - MG 063

- Used where no high accuracy is needed.
  - Used for measuring liquid and gases which are suitable to copper alloys.
  - Liquid filled types are used with pulsating pressures or vibrating environments.
- Industry Sector: Water treatment technologies, Machinery Manufacturing, Heating, ventilation, air conditioning (HVAC), Pumps/Compressors and Hydraulic/Pneumatics,



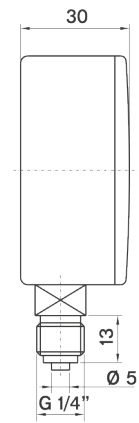
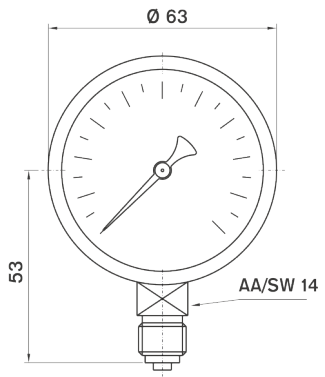
### Usage Properties

|                            |                                                   |
|----------------------------|---------------------------------------------------|
| Operating Pressure (max.)  | · Must not exceed %75 <sup>1</sup> of full scale. |
| Conformity                 | · EN 837 - 1                                      |
| Accuracy Class             | · CL 2.5                                          |
| Protection Rate            | · IP 41                                           |
| Mechanical Vibration Test  | · 10Hz-150Hz 1 Octave/minute - 3 axis             |
| Mechanical Shock Test Load | · 15g                                             |
| Optimum Operating Range    | · Between 0,1 x PN and 0,75 x PN                  |
| Fluid Temperature          | · Maximum + 60 °C                                 |
| Ambient Temperature        | · - 20 ... + 60 °C                                |
| Storage Temperature        | · -40 ... +70 °C                                  |

### Constructive Properties

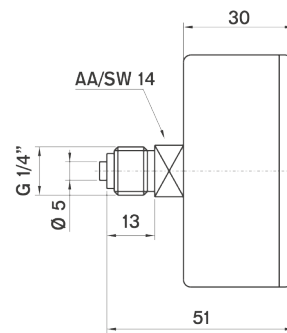
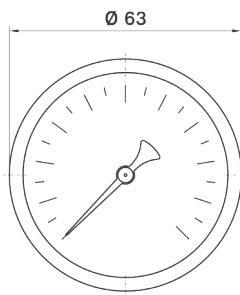
|                    |                                                                                                                                   |
|--------------------|-----------------------------------------------------------------------------------------------------------------------------------|
| Mounting Type      | · Bottom Connection                                                                                                               |
| Scale Unit         | · bar/psi                                                                                                                         |
| Scale Range (PN)   | · 0/0,6 · 0/1 · 0/1,6 · 0/2,5 · 0/4 · 0/6 · 0/10 · 0/16 · 0/25 · 0/40 · 0/60 · 0/100 · 0/160 · 0/250<br>· 0 - 315 · 0/400 · 0/600 |
| Vacuum Scale Range | · -1 / 0 · -1 / +0,6 · -1 / +1,5 · -1 / +3 · -1 / +5 · -1 / +9                                                                    |
| Case               | · Steel                                                                                                                           |
| Movement           | · Brass                                                                                                                           |
| Window             | · Polycarbonate                                                                                                                   |
| Wetted Parts       | · Copper Alloy                                                                                                                    |
| Connection         | · G 1/4" B                                                                                                                        |
| Dial               | · Aluminum                                                                                                                        |
| Pointer            | · Plastic                                                                                                                         |
| Welding            | · Soldering                                                                                                                       |

**Technical Drawings - MG 063**



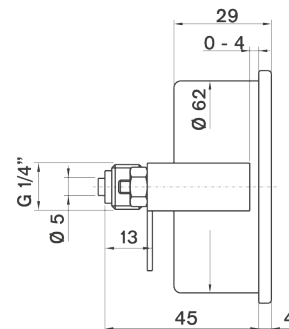
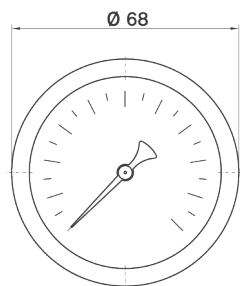
gr.  
125

063 10 001 /



gr.  
130

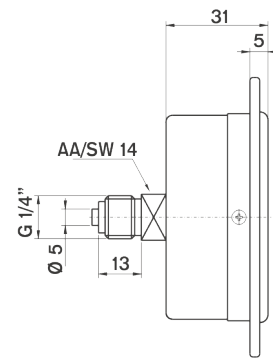
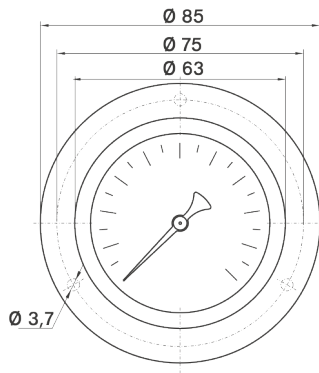
063 10 002 /



gr.  
160

063 10 003 /

**Technical Drawings - MG 063**



063 10 017 /