



Description:

PAKKENS MPS-20 pressure transmitter has been designed for accurate measurements in different industrial applications. The wide measurement range, commonly used signal output, high overpressure resistance, and low non-linearity value make it a reliable product for the pressure measurement of fluids that do not corrode AISI 316L.

Industrial Applications:

Process control, industrial robots, machine building, hydraulics and pneumatics, pumps and compressors, building services, HVAC systems, water and waste water treatment systems

General Specifications:

Measurement Range:
From 0...6 bar to 0...600bar

Measuring Method:
Relative

Sensor Type:
Metal Thin Film Sensor

Sensor Material:
AISI 316L

Casing:
Monoblock AISI 316L

Non-Linearity:
≤0.5 % of F.S

Long-term Stability:
≤0.3 % of F.S/year

Service Life:
10 million cycles

Output Signal:
2-wire/4...20 mA

Output Type:
Current Loop

Voltage Supply:
8-30 V

Operating Temperature:
-30...100 °C

Storage Temperature:
-30...100 °C

Overpressure Resistance:
2 times of F.S

Response Time:
< 2 ms

Shock Resistance:
40g

Vibration Resistance:
20g

Free-fall Resistance:
h=1 m to concrete surface

ROHS Compliance:
Yes

Ingress Protection Rate:
IP65

Reverse Polarity Protection:
Built-in

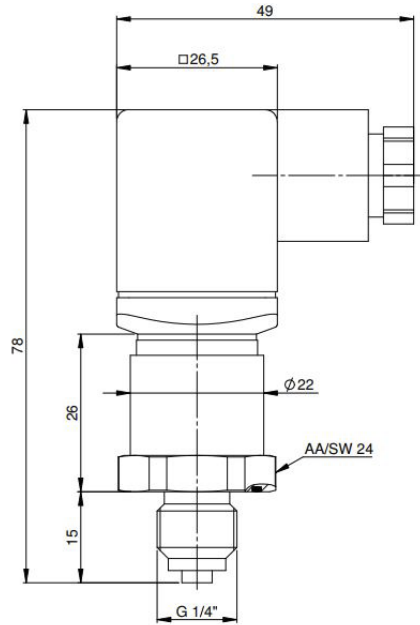
Accuracy and Temperature Drift:

Pressure (bar)	6	10	16	25	40	60	100	160	250	400	600
Non-linearity (at 25 °C)	0.6		0.5								
Accuracy (at 25 °C)	1.2										

Temperature Error at 0...80°C: ≤1.5 % of F.S

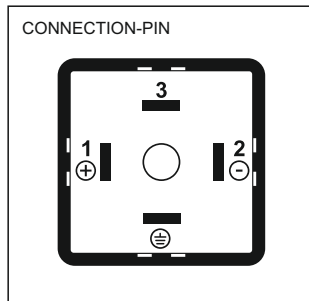
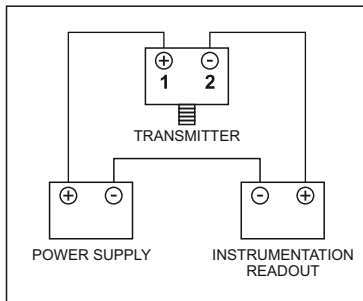
Accuracy includes non-linearity, hysteresis, and non-repeatability at reference conditions. (IEC 61298-1)

Dimensions in mm:



Standard sealings are made up of NBR. The minimum permissible medium and ambient temperature for those is -30 °C.

Electrical Connection Scheme:



Standard:
DIN 175301-803 A

Reverse Polarity Protection:
UB(1) vs. 0V(2)
UB: Positive power supply terminal, 0V: Negative power supply terminal

Total Current Consumption:
<25 mA

Electrical Connector Material:
PBT GF 30

Approvals:

Turkish Standards Institution

EN ISO 9001 Quality Management System

TURKAK Calibration Laboratory Accreditation Certificate

EU Declaration of Conformity
0036

RoHS Restriction of Hazardous Substances Directive

Metrology Measurement Technology

According to the provisions of Law No. 5846 on Intellectual and Artistic Works, quotations, drawings, pictures, schemes, graphics etc. cannot be reproduced and copied from this document without permission of PAKKENS A.Ş. If the crimes in question are committed, they will be subject to criminal sanctions under 71st and other provisions of the same law.